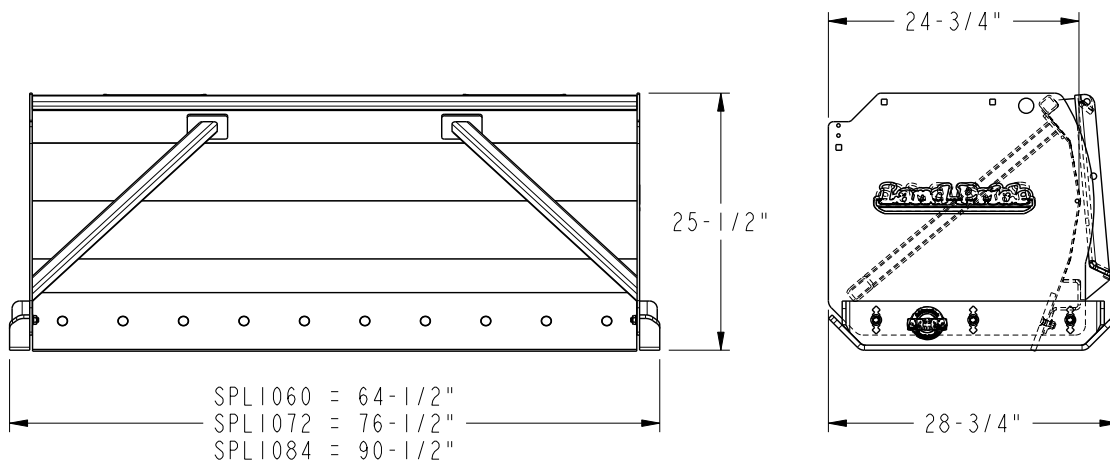


SPL10 Series

Specifications & Capacities			
Model Numbers	SPL1060	SPL1072	SPL1084
Working width	60"	72"	84"
Capacity (approximate)	22 ft <sup>3</sup>	26 ft <sup>3</sup>	30 ft <sup>3</sup>
Weight	With rubber blade	321 lbs	376 lbs
	With steel blade	346 lbs	410 lbs
Weight of pull back option	104 lbs	123 lbs	142 lbs
Horsepower range	20-40 hp		
Operating weight of carrier	3,000 lbs. Maximum		
Lift capacity of carrier	1,200 lbs. Maximum at pivot pins		
Hitch type	Universal quick-attach hitch		
Skid shoes	AR400 1/2" x 4" reversible & replaceable		
Moldboard thickness	10 Ga.		
Side panel thickness	1/4"		
Rubber blades (option)	1" x 8" Rubber with adjusting slots Reversible and replaceable blade		
Steel blades (option)	1/2" x 6" Reversible and replaceable blade(s)		
Pull back (option)	1/2" x 4 3/8" Steel blade		
Orange marker (accessory)	28" Tall, bolts to the side panels		



39895