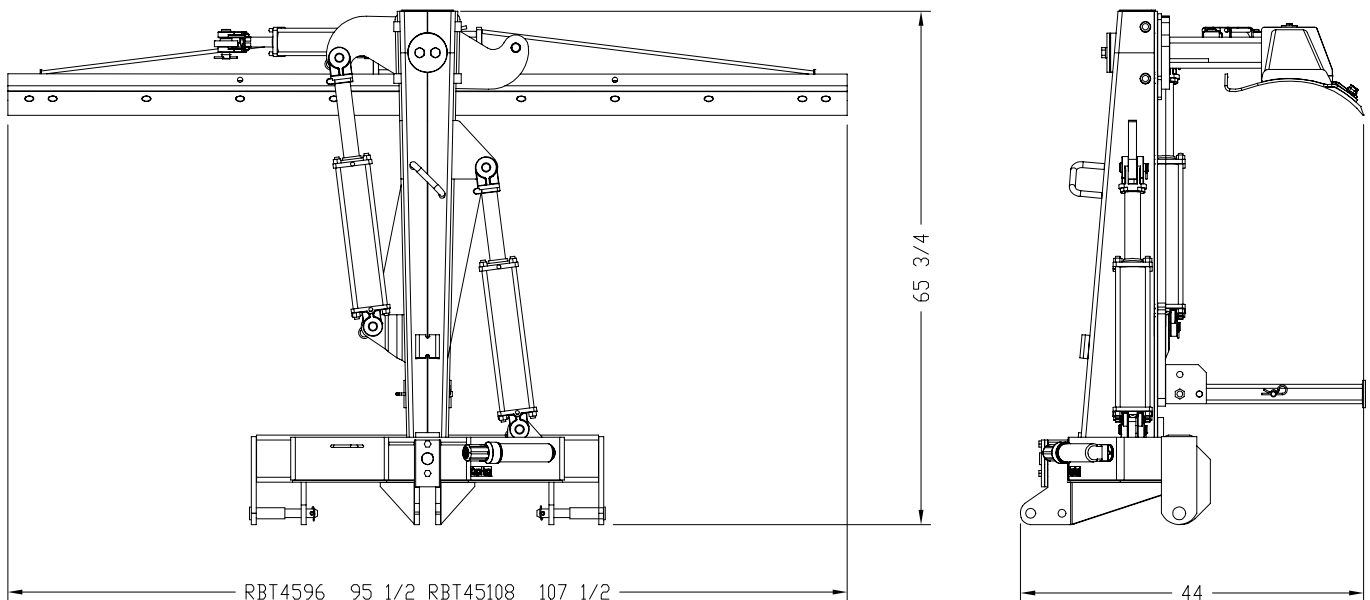


RBT45 Series

	RBT4596	RBT45108
Blade width	96"	108"
Approximate weight (lbs) with hydraulic links	1130 lbs	1166 lbs
Maximum engine horsepower	125 hp	
Maximum G.V.W. (lbs)	9500 lbs	
Hitch type	Cat. 2 & 3 (Fits Land Pride Quick Hitch)	
Blade angle, hydraulic operated	Up to 45° clockwise and counterclockwise with blade facing forward or reversed	
Angle cylinder	4" X 16"	
Blade offset, hydraulic operated	Up to 35 inches left and right.	
Offset cylinder	4" X 16"	
Blade tilt, hydraulic operated	Maximum 15° up and 15° down with blade facing forward or reversed	
Tilt cylinder	3" X 6"	
Moldboard height	19"	
Moldboard thickness	5/16" with 1/4" boxed reinforcement	
Cutting edge	1/2" x 6" Heat treated, Replaceable & Reversible (Double bevel)	
Main frame	Fully enclosed welded, formed box	
Parking stand	Retractable	
Accessories	Manual or Hydraulic Single or Dual Gauge Wheel, Skid Shoes, End Plates, Double Selector Valve and Cushion Valve, Manual Angling Link, Manual Offset Link and Manual Tilting Link	



26812