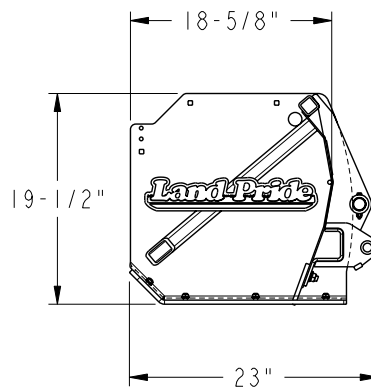
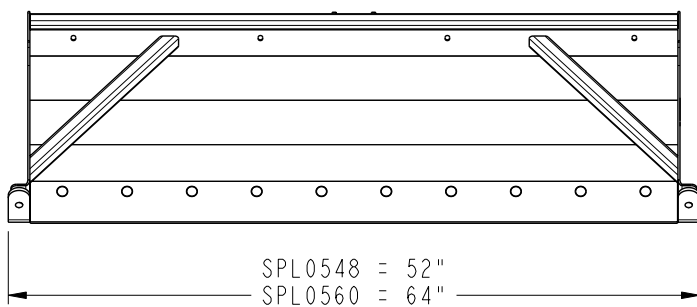
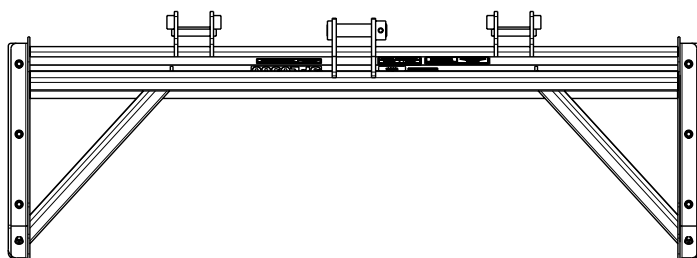


SPL05 Series

Specifications & Capacities		
Model Numbers	SPL0548	SPL0560
Working width	48"	60"
Capacity (approximate)	9 ft ³	12 ft ³
Weight	with poly blade	160 lbs
	with steel blade	168 lbs
Weight of pull back option	51 lbs	62 lbs
Horsepower range	Maximum 28 hp	
Operating weight of carrier	1,800 lbs.	
Lift capacity of carrier	800 lbs. at pivot pins	
Hitch type	Fits Kubota BX front loader hitch, with or without Kubota BX6315 Quick Hitch.	
Skid shoes	3/8" x 2" Replaceable	
Moldboard thickness	12 Ga.	
Side panel thickness	3/16"	
Poly blades (option)	1/2" x 6" Poly Reversible and replaceable blade	
Steel blades (option)	3/8" x 4" Replaceable blade(s)	
Pull Back (option)	3/8" x 3" Steel blade	
Orange marker (accessory)	28" Tall, bolts to the side panels	



39722