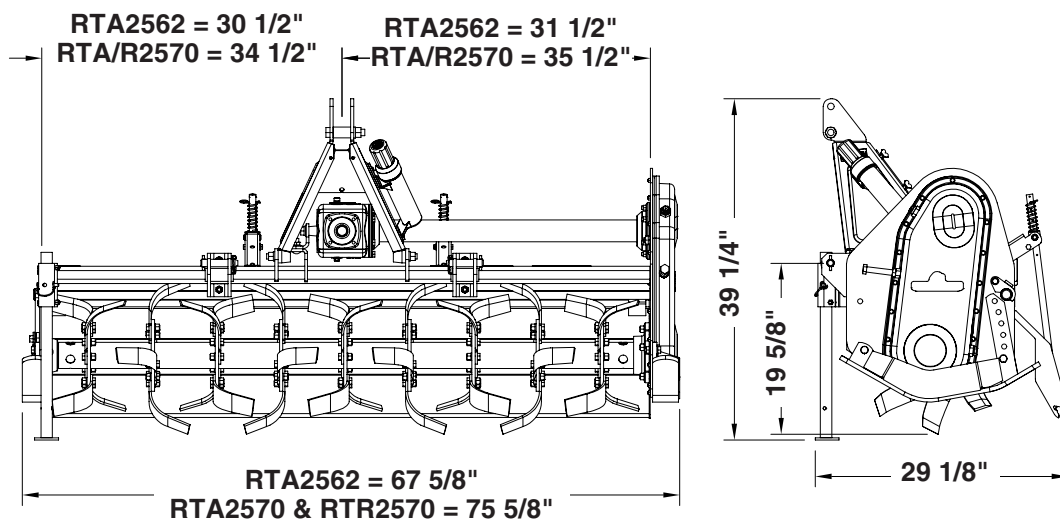


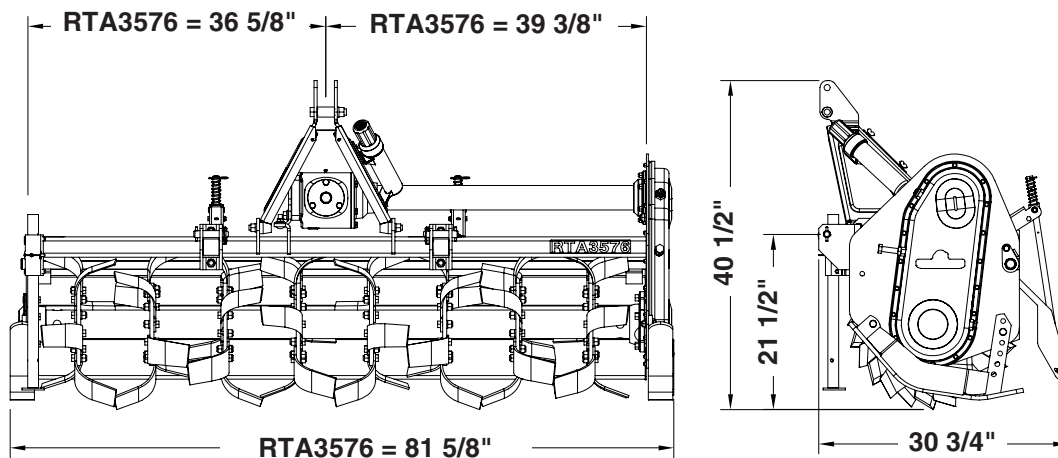
RTA25 & RTA35 Series

| | Specification & Capacities | | |
|---------------------------------------|---|------------|--|
| Model Number | RTA2562-06 | RTA2570-06 | RTA3576 |
| Recommended Power Take-off Horsepower | 25-75 Horsepower | | 35-95 Horsepower |
| Weight | 649 lbs. | 663 lbs. | 856 lbs. |
| Tilling Width | 62" | 70" | 76" |
| Overall Width | 67 5/8" | 75 5/8" | 81 5/8" |
| 3-Point Hitch Type | Category I, Adjustable Lower Hitch Clevis with Plated Pins | | Category 1 & 2, Adjustable Lower Hitch Clevis |
| Quick Hitch Compatible | Cat. I Yes | Yes | Yes |
| | Cat. II No | No | Yes |
| Offset Capabilities | Yes, up to 5" maximum. May require offsetting the tractor's lower 3-Point lift arms to achieve full 5" offset. (Cannot offset with Quick Hitch) | | |
| Number of Flanges | 8 | 9 | 8 |
| Number of Tines per Flange | 6 | | |
| Tine Construction | High Carbon heat treated "C" shaped blades | | |
| Skid Shoes | Adjustable | | |
| Storage Stands | Adjustable | | |
| Rear Deflector | Spring Loaded, adjustable, rear deflector | | |
| Driveline | ASAE Category III Heavy Duty Slip-Clutch | | ASAE Category IV Heavy Duty Slip-Clutch |
| Gearbox | 45 hp at 540 rpm 1.92:1 Ratio | | 65 hp at 540 rpm 1.87:1 Ratio |
| Gearbox Construction | Cast Iron Housing, Straight Bevel Gears | | |
| Gearbox Lubrication | SAE 80-90W EP oil | | |
| Gearbox Oil Capacity | 2 Pints | 1.65 Pints | 2 Pints |
| Drive Chain | #100 Roller chain Fully enclosed in oil bath with drain plug, fill plug and skid protection | | |
| Chain Case Oil Type | Shell Gadus S2 V2200 00 flowable grease or equivalent Land Pride Part #821-045C (32 oz. bottle) | | |
| Sprockets | 2" Cold rolled steel | | |
| Rotor Swing Diameter | 17" | | 19" |
| Rotor Shaft Speed | 220 rpm at 540 rpm power take-off speed | | 204 rpm at 540 rpm power take-off speed |



RTA25 & RTR25 Series

26801



RTA35 Series

26803