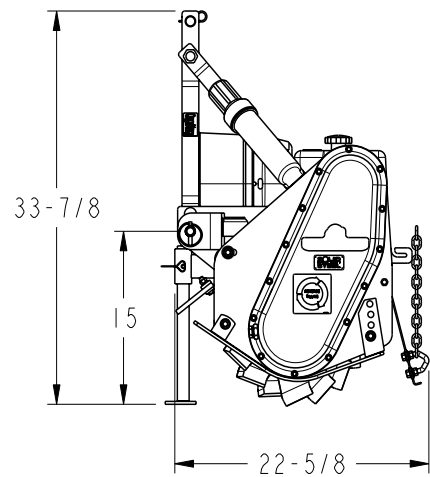
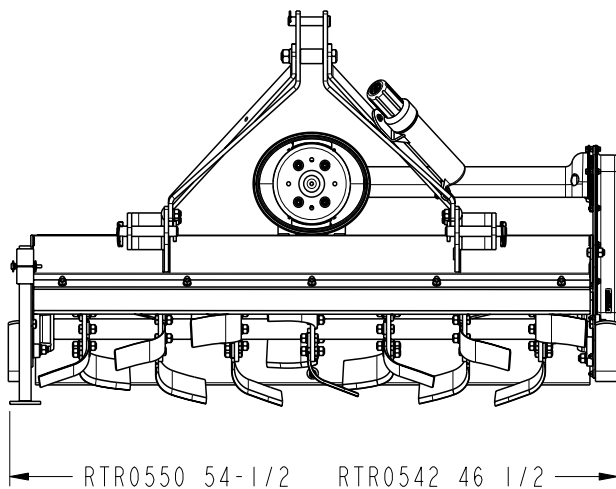


RTR05 Series

Specification & Capacities		
Model Number	RTR0542	RTR0550
Recommended tractor power take-off horsepower	Up to 26 hp (Subcompact Tractors)	
Weight	268#	298#
Tilling width	42"	50"
Overall width	46 1/2"	54 1/2"
Hitch type	Category I Fits Land Pride's Category I Quick Hitch	
Offset capabilities	No	
Number of flanges	6	7
Number of tines per flange	4	
Tine construction	Alloy steel heat treated "C" shaped blades	
Skid shoes	Adjustable	
Storage stands	Adjustable	
Rear deflector	Adjustable	
Driveline	Category II Off-Center Shear-bolt - standard Slip-Clutch - optional	
Gearbox	26 hp input at 540rpm 1.46:1 ratio Cast iron housing, straight bevel gears	
Gearbox lubrication & oil capacity	1 Pint of SAE 80-90W EP oil	
Drive chain	#80 Roller chain - Fully enclosed in oil bath with drain & fill plugs	
Drive chain lubrication	Shell Gadus S2 V2200 00 flowable grease or equivalent Land Pride Part #821-045C (32 oz. bottle)	
Sprockets	Case hardened teeth, splined bores	
Rotor swing diameter	13"	
Rotor shaft speed	230 rpm at 540 rpm power take-off speed	



26794