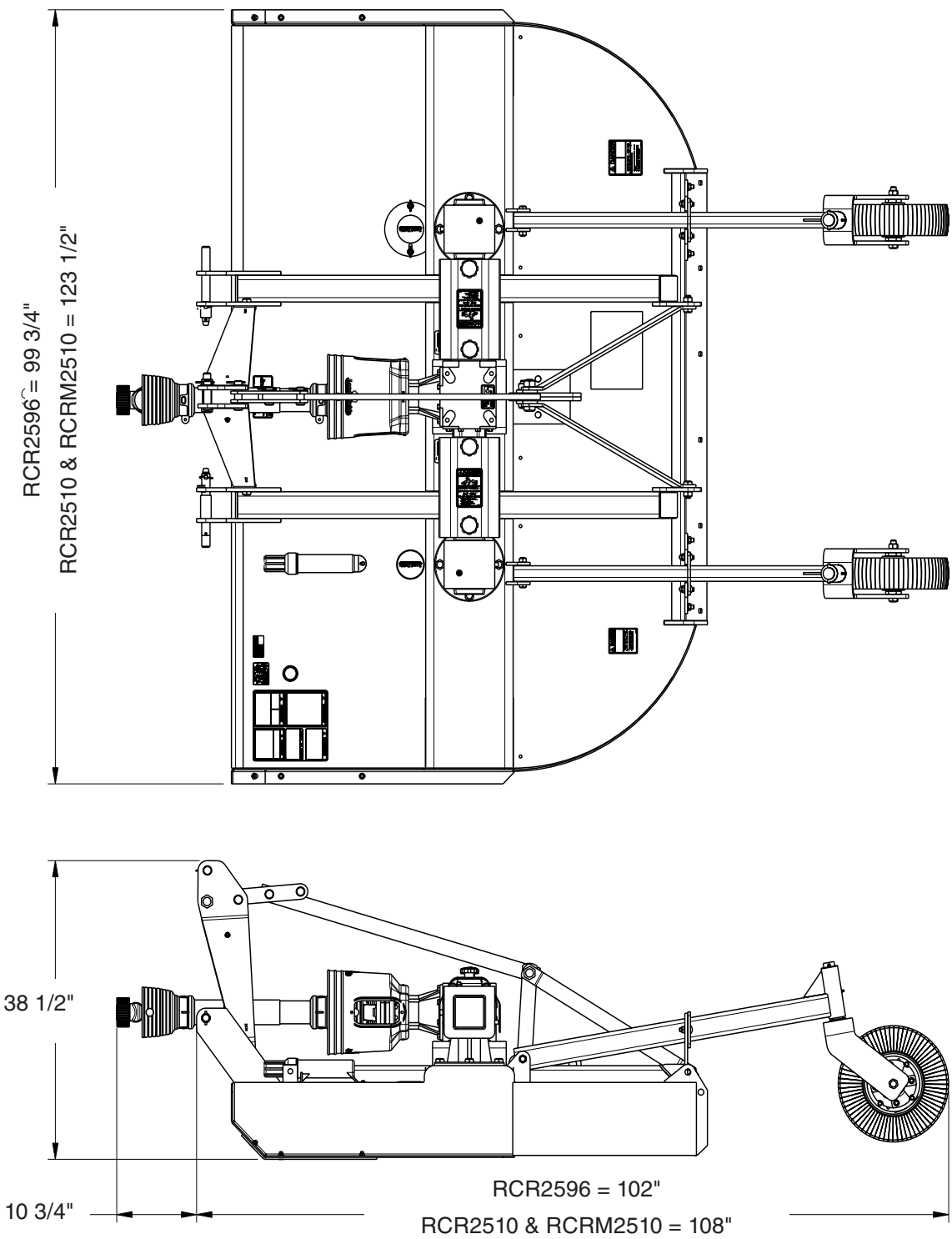


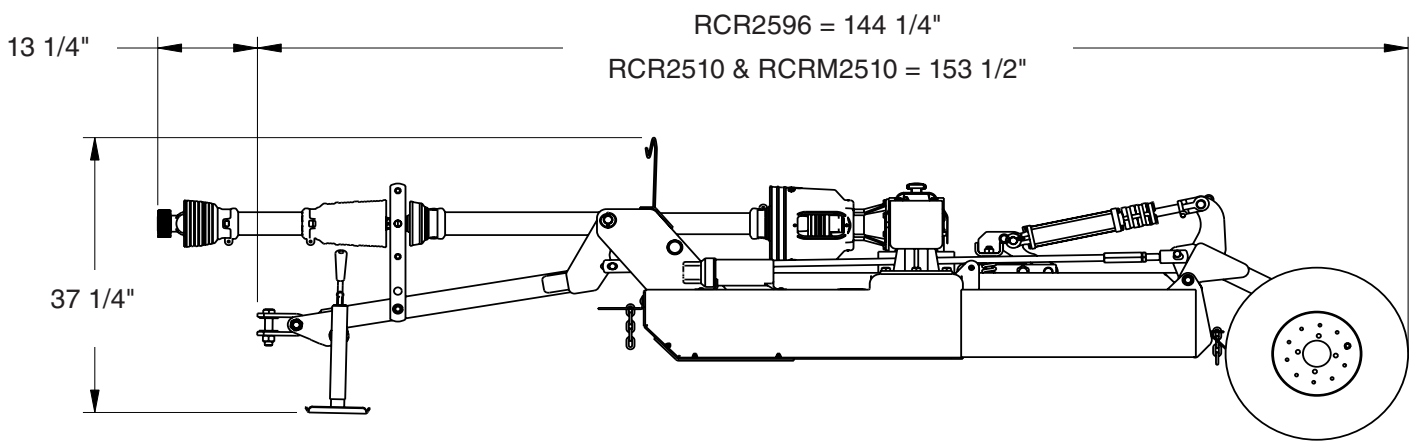
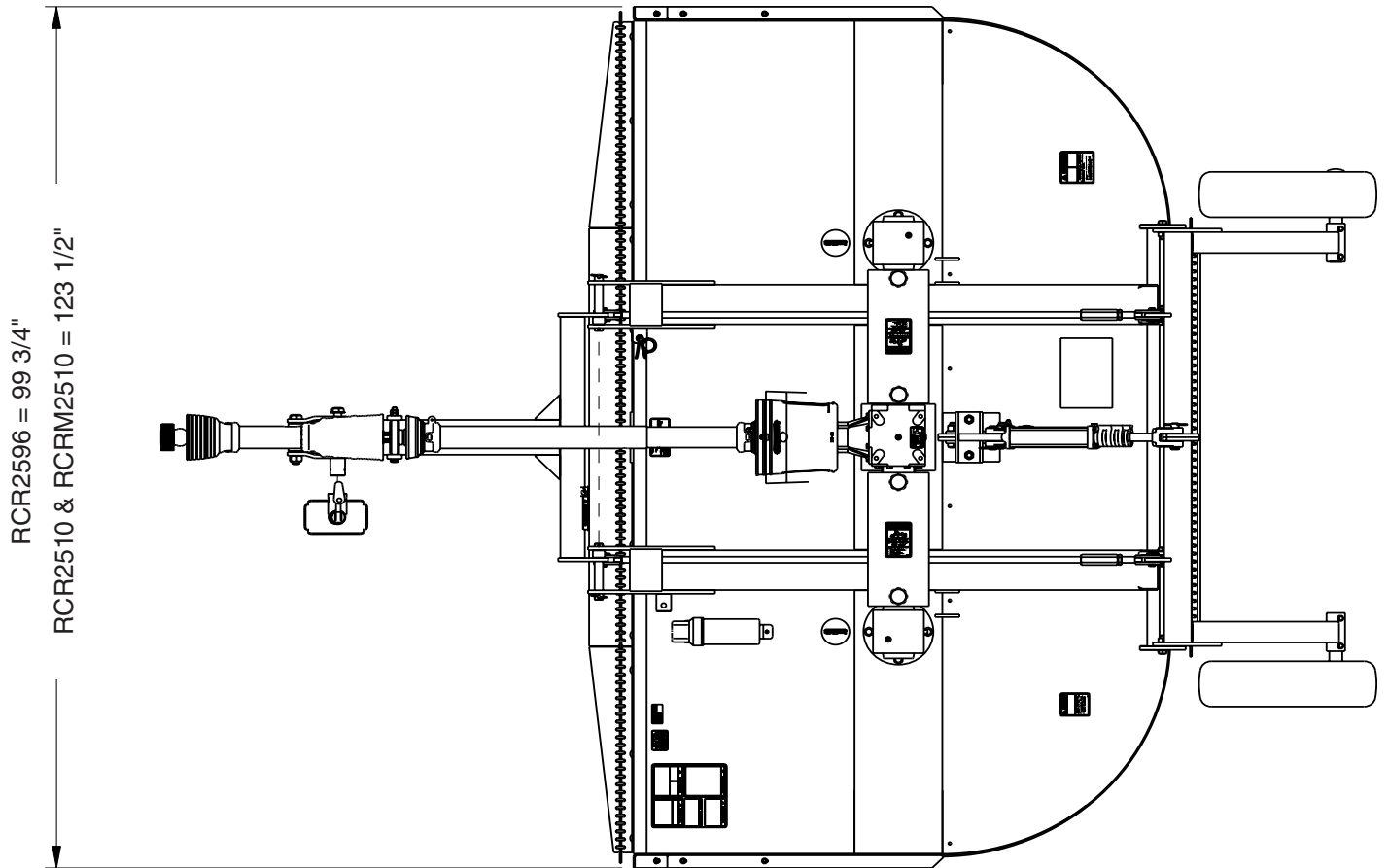
RCR25 Series

Specifications & Capacities		
Model Numbers	RCR2596 (540 rpm)	RCR2510 (540 rpm) RCRM2510 (1000 rpm)
Machine weight (With front and rear chain shields)	Lift-type 1,380 lbs. Pull-type 1,665 lbs.	Lift-type 1,750 lbs Pull-type 2,035 lbs.
Hitch	Lift-type Category 1 & 2 Quick-Hitch adaptable Pull-type - w/dual level rods	Lift-type Category 2 & 3 Quick-Hitch adaptable Pull-type - w/dual level rods
Pull type tongue weight	651 lbs	872 lbs
Cutting width	7' - 10"	9' - 10"
Overall width	8' - 3 3/4"	10' - 3' 1/2"
Overall length	Lift-type: 8' - 6" Pull-type: 12' - 1/4"	Lift-type: 9' - 0" Pull-type: 12' - 9 1/2"
Deck height	9 5/8"	
Cutting height	2" - 12"	2' - 10 1/2"
Cutting capacity	1 1/2"	
Tractor Hp rating	Lift-type: 50 - 110 Pull-type: 40 - 110	Lift-type: 60 - 110 Pull-type: 50 - 110
Power take-off speed		
Gearbox horsepower rating	Center - 100 hp Outboard 60 hp	
Gearbox (Speed up beveled gears)	540 rpm or 1000 rpm power take-off driven gearbox Cast iron housing, beveled gears	
Gearbox lubrication	80-90w EP	
Gearbox oil capacity	End boxes T-box	2.5 Pints 4.5 Pints
Gearbox Input/ output shaft size	Input shaft = 1 3/4" - 20 spline Output shaft = 2" dia.	
Deck material thickness	10 Gauge	
Deck side skirt thickness		
Skids	Replaceable	
Stump jumper	Round pan 3/16"	
Blades (2)	1/2" x 4" Heat treated Free-swinging suction blades	
Blade bolts	Keyed with harden flat washer and locknut	
Blade tip speed	540 rpm 14,592 fpm	540 rpm 17,749 fpm 1000 rpm 18,035 fpm
Driveline	Cat 4, w/equal angle u-joint	Cat 4 w/equal angle u-joint or Constant velocity u-joint
Driveline protection	540 rpm - 4 plate slip clutch 1000 rpm - 2 plate slip clutch	
Tailwheel option	Lift-type (2 ea.) Pull-type (2 ea.)	4" x 8" x 15 1/4" Laminated 6" x 9" x 21" Laminated or 24" recap aircraft tires
Optional safety shields	Front & rear chain/ front & rear rubber	



26815

3-Point Type RCR25 Series



26816

Pull Type RCR25 Series