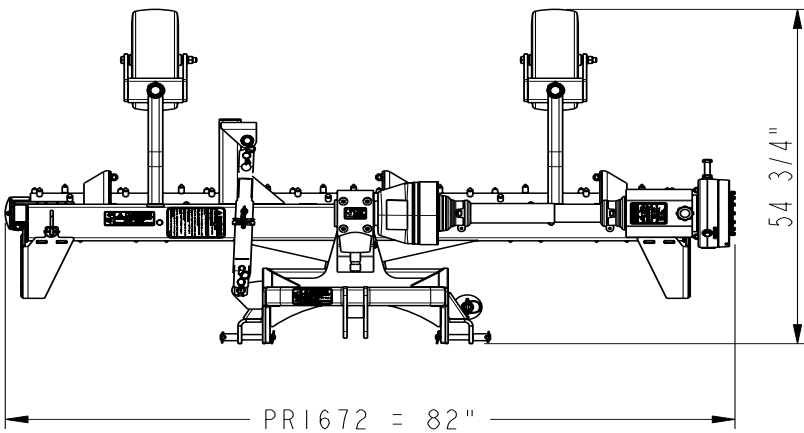
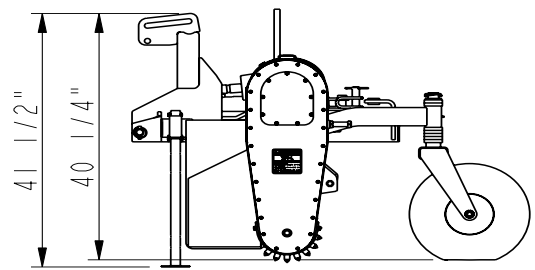


PR16 Series Powered Rake

Specifications & Capacities			
Model Nos.	PR1660	PR1672	PR1690
Tractor Horsepower Range	25-60	25-60	35-75
Non-Angled Working Width	60"	72"	90"
Weight	980 lbs.	1000 lbs.	1150
Hitch	Cat. 1		Cat. I and II
Quick Hitch	Fits Land Pride QH15 Cat. I Quick Hitch		
Gearbox	540 rpm, Ball Bearings, Cast Iron Housing, Drain Plug		
Gearbox Oil Capacity & Lubrication Type	SAE 90 Weight Gear Lube - 2.38 pints empty (Add gear lube until it escapes from lower plug hole.)		
Primary Driveline	Cat. 3 Heavy-Duty		
Secondary Driveline	Cat. 3 with Slip-Clutch		
Material Control Deflector	1/2" X 5" Urethane		
Spiked Roller	9 3/8" Dia. with 3/4"X1 1/2" Carbide Tipped Studs		
Roller End Bearings	Ball Bearing		
Drive Chain	#50 Double Roller Chain		
Angle Adjustment	15 degrees left or right - Hydraulic or manual		
Angle Cylinder	2" X 8"		
Side Plates	Standard, Removable with Storage Rack		
Gauge Wheels / Depth Control	13" X 6.5"	16.5" X 6.5"	16.5" X 6.5"
	Air Tires with Sealant and 3/4" Roller Bearings and Spacer Height Adjustment		
Skid Shoes	Replaceable		
Chain Case Lubrication	Shell Gradus S2 V2200 00 flowable grease Land Pride Part #821-045C (32 oz. bottle) Add gear lube until it escapes from lower plug hole. Equivalent to 2 1/2 pints.		



Top View



Side View

26785