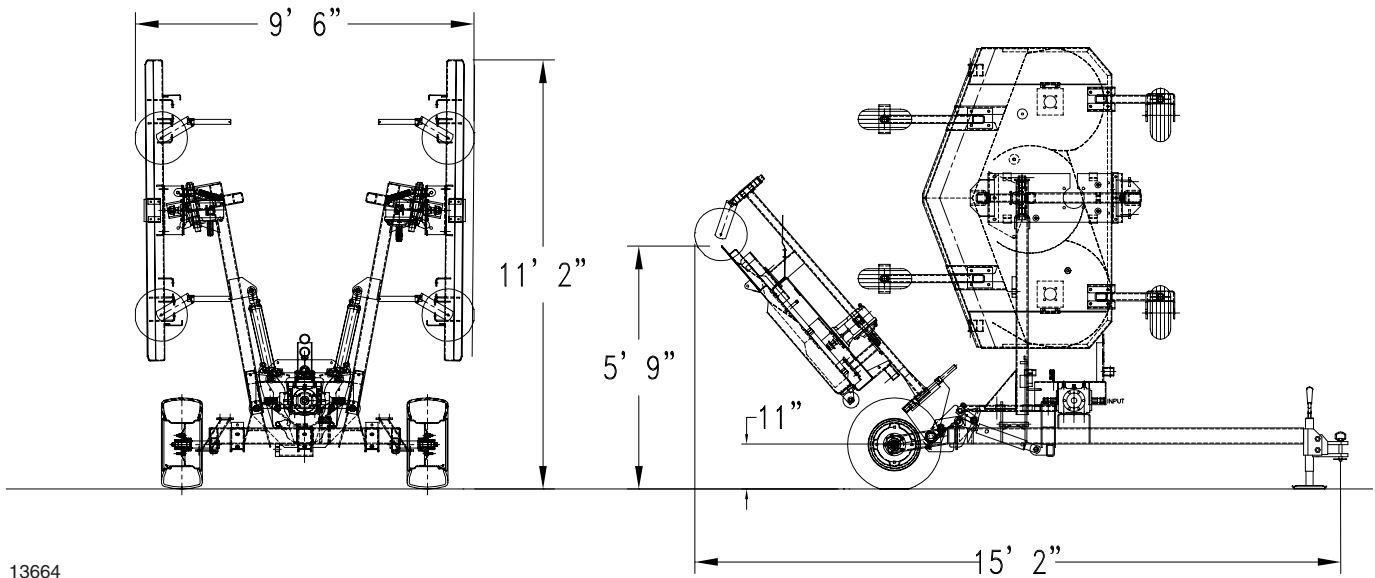


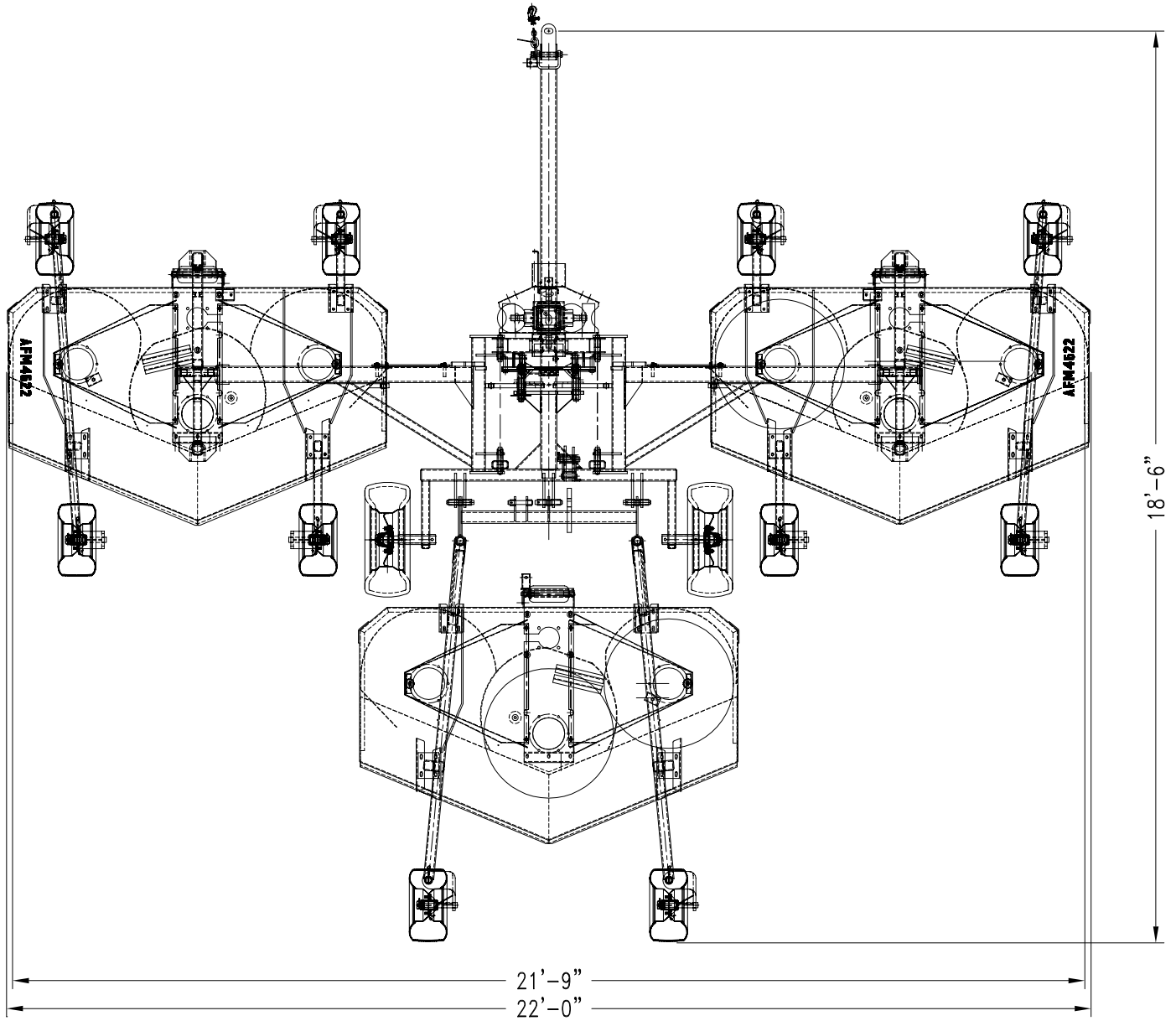
AFM4522 Model

Specifications & Capacities		Specifications & Capacities	
Discharge Type	Rear		
Cutting Width	21'-9"	Blade Drive Belt	1 C-Section
Overall Width	22' -0"	Drive Belt Tension	Spring Loaded Idler with Overcenter Release
Transport Height	11'-2"	Blade Bearing	Sealed Ball Bearings
Transport Width	9'-6" With Lock bar Installed	Blades 3 Each Per Deck	Low Lift (5/16" x 2 1/2" x 31 17/32") Optional Blades: Medium Lift, High Lift & Mulching
Overall Length	18'-6" Mowing Position 15'-2" Transport Position	Blade Overlap	2 1/4"
Machine Weight	4,150 lbs.	Blade Spindle Speed	2,241 R.P.M.
Tractor Horsepower	Minimum 65 horsepower / Maximum 100 horsepower	Blade Tip Speed	18,498 F.P.M.
Hitch	Pull Type with Adjustable Clevis and Safety Tow Chain	Deck Tires	18 x 9.5 Air Tire, Sealant
Tongue Support	2,200 lb. Capacity Screw Jack	Deck Wheel Spindles	1 1/4" w/Nylon Bushings
Gearbox Support	1/4" Steel Channel	Transport Tires	2 each, P27560SR
Gearboxes	540 rpm (1)-Splitter & (3)-Wing	Transport Locks	Automatic with Pull Rope Release
Gearbox Oil Capacity	Splitter: 2.5 pints Wings: 3.5 pints	Wing Flex	23 Degrees Left To Right 22 Degrees Front To Back
Main Driveline (1)	Category IV with Constant Velocity	Center Deck Flex	10 Degrees Left To Right 22 Degrees Front To Back
Deck Drivelines (3)	Category III with Slip Clutch	Hydraulic Outlets	1 Set Required
Cutting Height	3/4" to 5 1/4" (In 1/4" increments)	Deck Cylinders	Dual Acting
Deck Size & Quantity	3 each @ 90"	Gauge Wheel Arms	1/4" Wall Square Tubing
Deck Overlap	4 1/2"	Turning Radius	Zero Turning Radius
Deck Thickness	3/16"	Mowing Capacity @ 2 mph @ 4 mph @ 6 mph	5.27 Acres Per Hour 10.54 Acres Per Hour 15.82 Acres Per Hour
Anti-Scalp Roller	Front Center of Each Deck	Signal lights 7 Pin connector	LED SAE J560 pin configuration



Specification Drawing

13664



22379

Specification Drawing