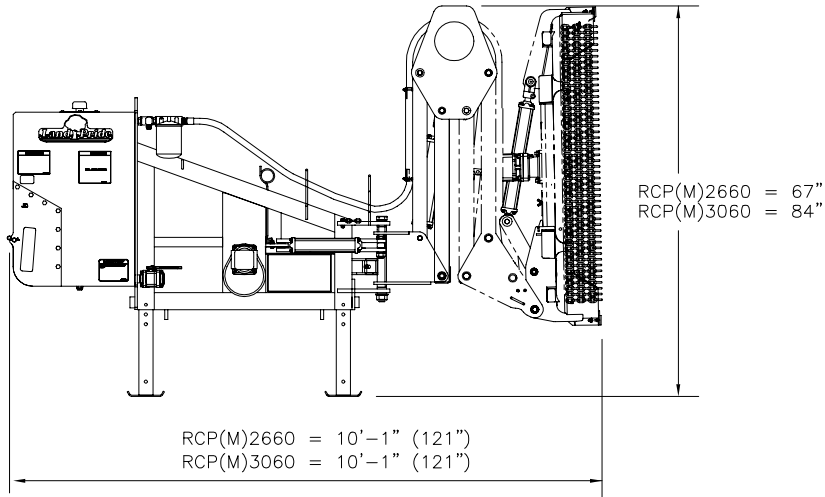
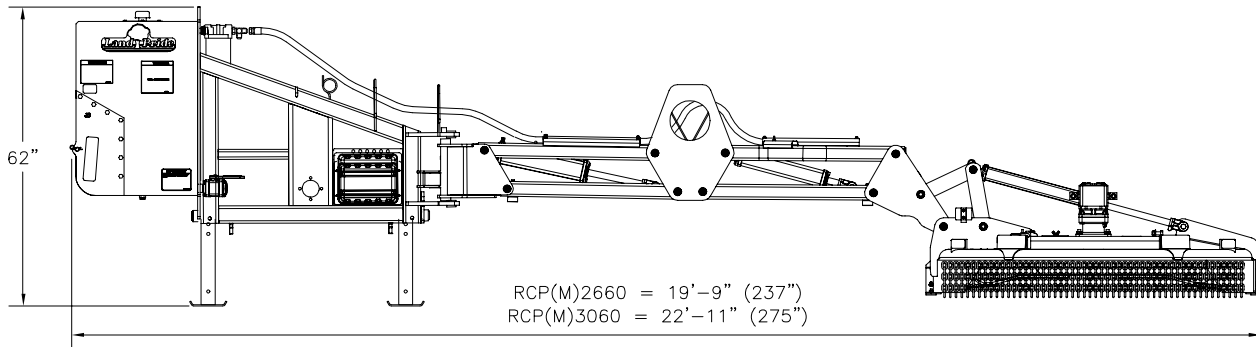
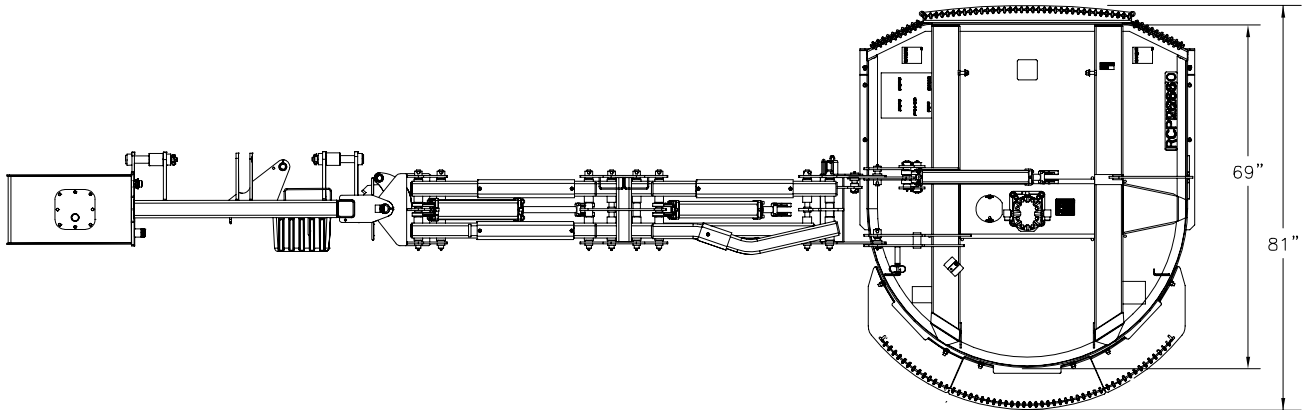


## RCP(M)2660 &amp; RCP(M)3060 Series (Parallel Arm)

Specifications & Capacities				
Model Nos.	RCP2660	RCPM2660	RCP3060	RCPM3060
Power Take-Off Input Speed	540 rpm	1000 rpm	540 rpm	1000 rpm
Deck Motor rpm @ Power Take-Off Speed	1000 rpm @ 540 power take-off	1000 rpm @ 1000 power take-off	1000 rpm @ 540 power take-off	1000 rpm @ 1000 power take-off
Minimum Tractor Horsepower	75 hp		95 hp	
Minimum Base Tractor Weight	8,000 Lbs. without added weights		12,000 Lbs. without added weights	
Weight	1,690 lbs (No fluid and without gauge wheels)		2,225 lbs (No fluid and without gauge wheels)	
Cutting Width	58"		58"	
Overall Width (Fully Extended)	19'-9"		22'-11"	
Transport Width	10' (without gauge wheels)		10' (without gauge wheels)	
Minimum Cutting Height (Deck Level)	2"		2"	
Maximum Horizontal Reach from Center Tractor	15'-6" (186")		18'-10" (226")	
Maximum Vertical Reach (Above Horizontal)	11'-5" (137")		13'-5" (161")	
Maximum Vertical Reach (Below Horizontal)	9'-1" (109")		11'-0" (132")	
Deck Rotating Arc	180 Degrees			
Blade Tip Speed	15,000 fm			
Blade Size	1/2" x 4"			
Blade Rotation	Clockwise			
Blade Bolt	1 1/2" With keyway; nut			
Dishpan	3/16" X 21" Round, dish shaped			
Cutting Capacity	2" Max.			
Deck Thickness	10 GA			
Speed Inserter Fluid Capacity	1 Pint			
Speed Inserter Fluid	80-90W EP Gearlube			
Hydraulic Fluid	Mobilfluid 424 For alternate fluids, search on the web for "Mobilfluid 424" or go to <a href="http://www.mobil.com">www.mobil.com</a>			
Reservoir Capacity and Filter	35 Gallons / Conventional 10 Micron Filter			
Hydraulic Fluid Flow Rate	Approximately 15 gpm or 56.8 L/min.			
Overload Protection	Hydraulic relief valve			
Breakaway Protection	Hydraulic Cylinder			
Driveline	ASAE Category 2			
Hitch	3-Point Cat. 2 & 3 with clevis style lower hitch, Quick Hitch adaptable except with M126GX, M135GX, or M6-141 Kubota tractors			
Skid Shoes	1/4" Reversible			
Gauge Wheel Option				
Gauge Wheels	Three 13 x 5.00 - 6 Semi-solid smooth tires with greasable caged roller bearings.			
Height Adjustment	Two Ratchet jacks			
Hydraulic Control Options				
Options	Tractor Control With or Without Deck Float			
	Solenoid Control With or Without Deck Float			
	Independent Control With or Without Deck Float			
Optional & Accessory Equipment				
Operator Protective shield	Extruded aluminum frame and glazed with 1/4" clear lexan polycarbonate			
Kubota 3-Point Stabilizer Kit	Available		Not available	
Slow Moving Vehicle Sign	Slow moving decal on galvanized steel back sign and plated or galvanized mount.			



FOLDED TRANSPORT POSITION



FULLY EXTENDED FIELD POSITION

22005

Overall Dimensions