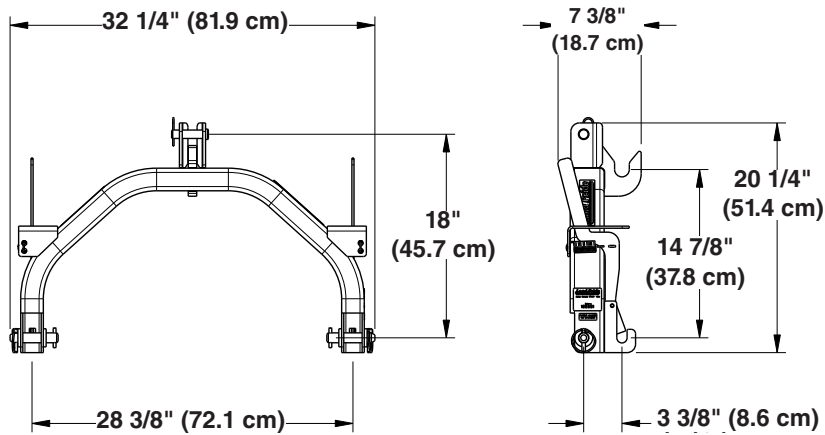


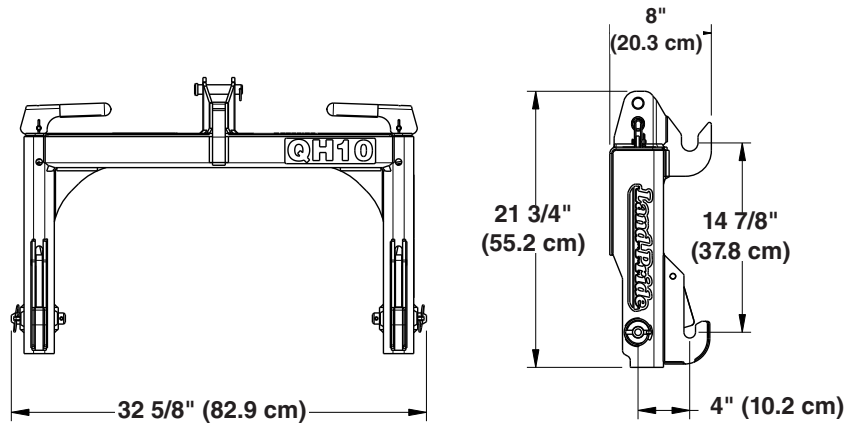
QH05, QH10, QH15, QH20, & QH30 Series

Specifications & Capacities					
Model	QH05	QH10	QH15	QH20	QH30
3-Point hitch	Category 1	Category 1	Category 1	Category 2	Category 3
Maximum lift Capacity	At 24" (61.0 cm) back from implement's lower 3-point hitch pins. Implement hitch must match hitch category listed above.				
	700 lbs (317.5 kg)	2000 lbs (907.2 kg)	2000 lbs (907.2 kg)	3600 lbs (1632.9 kg)	13600 lbs (6168.9 kg)
Overall width	32 1/4" (81.9 cm)	32 5/8" (82.9 cm)	32 5/8" (82.9 cm)	40" (1.02 m)	46 1/4" (1.17 m)
Overall height	20 1/4" (51.4 cm)	21 3/4" (55.2 cm)	23 1/4" (59.1 cm)	23 5/8" (60.0 cm)	28 5/8" (72.7 cm)
Overall length	7 3/8" (18.7 cm)	8" (20.3 cm)	9" (22.9 cm)	8 7/8" (22.5 cm)	9 1/2" (24.1 cm)
Weight without floating top link	37 lbs (16.8 kg)	67 lbs (30.4 kg)	70 lbs (31.8 kg)	120 lbs (54.4 kg)	175 lbs (79.4 kg)
Top hitch	Stationary	Stationary	Adjustable	Stationary	Stationary
Hitch pin lock	Automatic on implement's lower 3-point hitch pins				



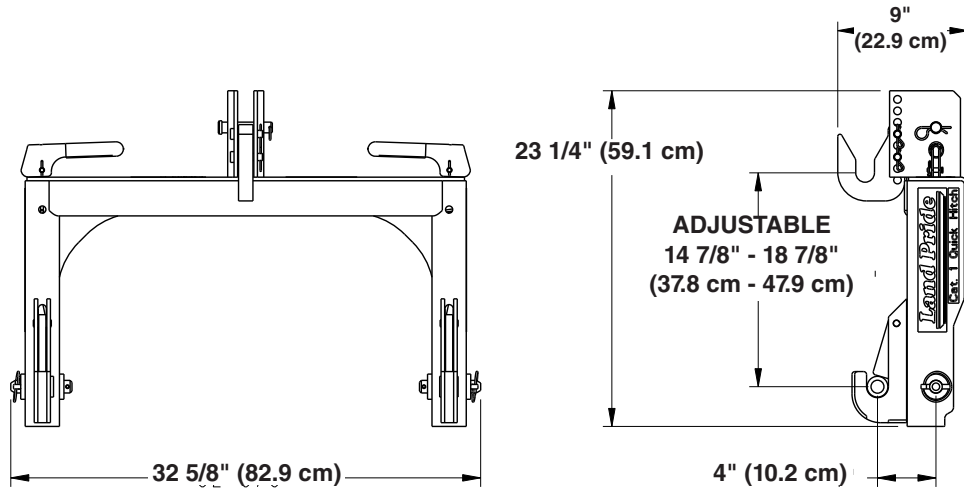
QH05 Quick Hitch  
Figure 5-1

37128



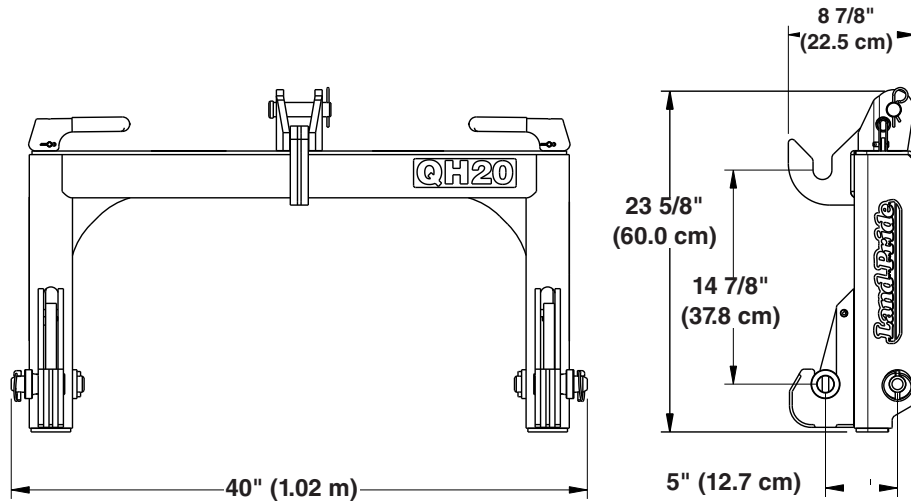
QH10 Quick Hitch  
Figure 5-2

70121



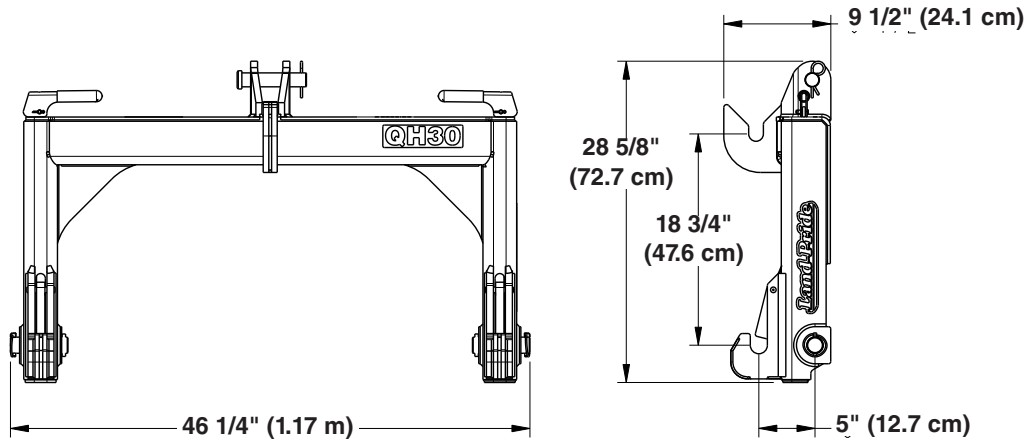
QH15 Quick Hitch  
Figure 5-3

26874



QH20 Quick Hitch  
Figure 5-4

24879



QH30 Quick Hitch  
Figure 5-5

70315