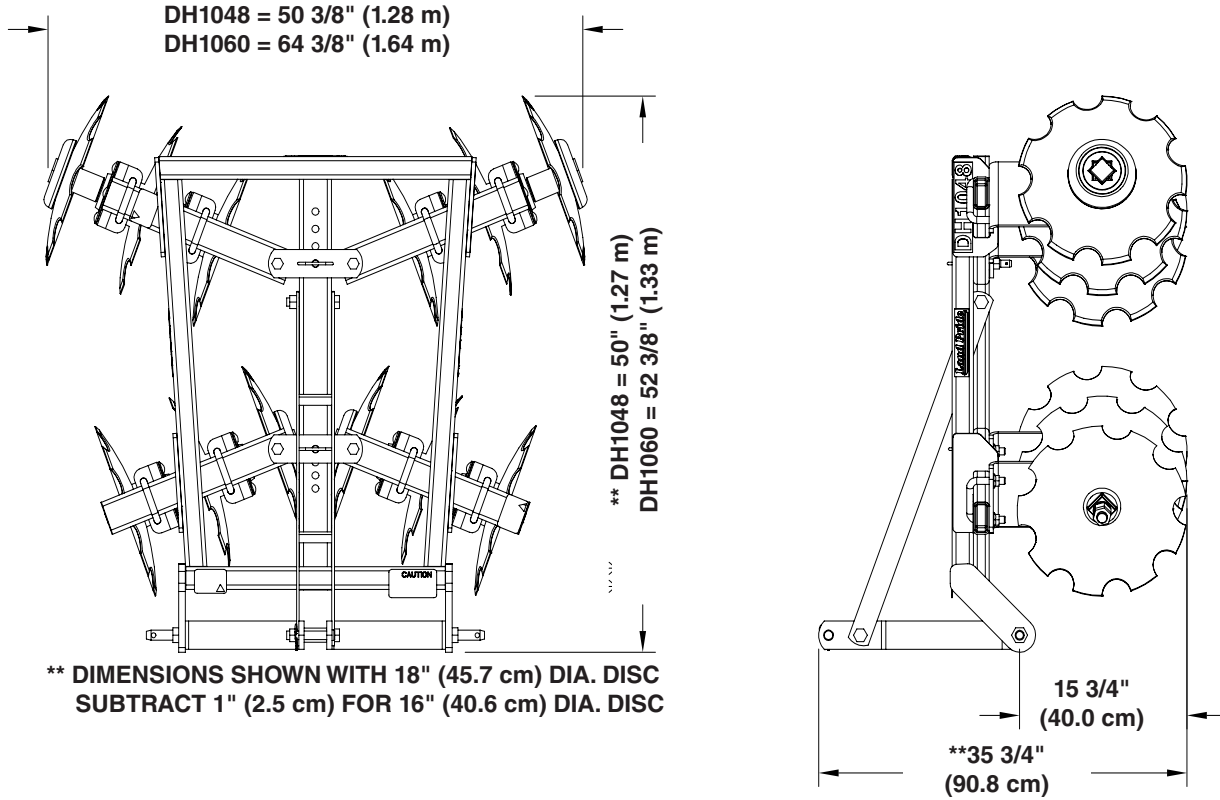


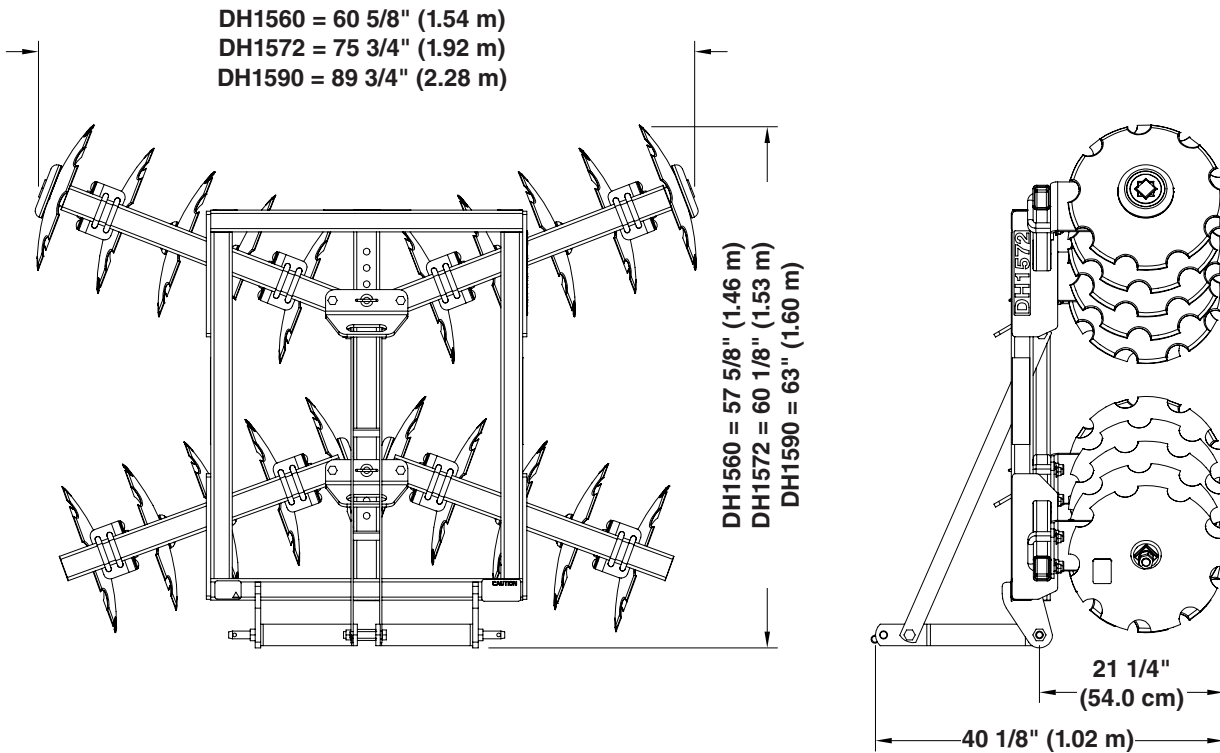
DH10, DH15, and DH25 Series

Specifications & Capacities								
	DH1048	DH1060	DH1560	DH1572	DH1590	DH2572	DH2596	
3-Point hitch type	Cat. I (Fits Land Pride Quick Hitch)					Cat. I & Cat. II Fits Land Pride Quick Hitch		
Horsepower Rating	Max 40 horsepower (29.8 kw)		Max. 65 horsepower (48.5 kw)			40 to 100 horsepower (29.8 to 74.6 kw)		
Cultivation width	48" (1.22 m)	60" (1.52 m)	60" (1.52 m)	72" (1.83 m)	90" (2.29 m)	72" (1.83 m)	96" (2.44 m)	
Height	34 3/4" (88.3 cm)	34 3/4" (88.3 cm)	40 1/8" (101.9 cm)			40 1/4" (102.2 cm)		
Disc blade sizes	16" (40.6 cm)	16" or 18" (40.6 or 45.7 cm)	18" (45.7 cm)			20" or 22" (50.8 or 55.9 cm)		
Length with largest dia. disc blades	50" (1.27 m)	51 3/8" (1.30 m)	57 5/8" (1.46 m)	60 1/8" (1.53 m)	63" (1.60 m)	70 3/4" (1.80 m)	73 1/2" (1.87 m)	
Weight	Standard Disc	421 lbs (191.0 kg)	533 lbs (241.8 kg)	628 lbs (284.9 kg)	714 lbs (323.9 kg)	865 lbs (392.4 kg)	947 lbs (429.6 kg)	1143 lbs (518.5 kg)
	Larger Disc		549 lbs (249.0 kg)				1037 lbs (470.4 kg)	1254 lbs (568.8 kg)
Weight load per disc	Standard Disc	35 lbs (15.9 kg)	33 lbs (15.0 kg)	38 lbs (17.2 kg)	34 lbs (15.4 kg)	36 lbs (16.3 kg)	47 lbs (21.3 kg)	48 lbs (21.8 kg)
	Larger Disc		34 lbs (15.4 kg)				51 lbs (23.1 kg)	52 lbs (23.6 kg)
No. of disc blades	12	16	16	20	24	20	24	
Disc blade types	Notched or smooth					Front - notched Rear - smooth or notched		
Disc blade spacing	7 1/2" (19.1 cm)					7 1/2" (19.1 cm)		
Bearing hanger	3/8" (10 mm) Plate with 5/8" (16 mm) u-bolt		3/8" (10 mm) Plate, 2 each 5/8" (16 mm) u-bolts			1/2" (13 mm) Plate, 2 each 5/8" (16 mm) u-bolts		
Bearing type, 2 per gang	Self aligning, sealed ball bearing							
Disc angle	Front & rear gang: 0, 7, 14, & 21 degrees		Front gang: 0, 7, 14, & 21 degrees with angling adjustment handle Rear Gang: 7, 14 & 21 degrees With angling adjustment handle					
Frame tubes	2" (5.1 cm) square		2 1/2" (6.4 cm) square			3" (7.6 cm) square		
Gang tube	3" x 1 1/2" (7.6 cm x 3.8 cm)		3" x 2" (7.6 cm x 5.1 cm)			4" x 3" (10.2 cm x 7.6 cm)		
Gang axle	1" (2.5 cm) Square high carbon steel					1 1/8" (2.9 cm) Square high carbon steel		
Disc scrapers	Not available		Optional, Adjustable			Optional, Adjustable		
9" Center sweep	Not available		Optional, Removes center ridge					



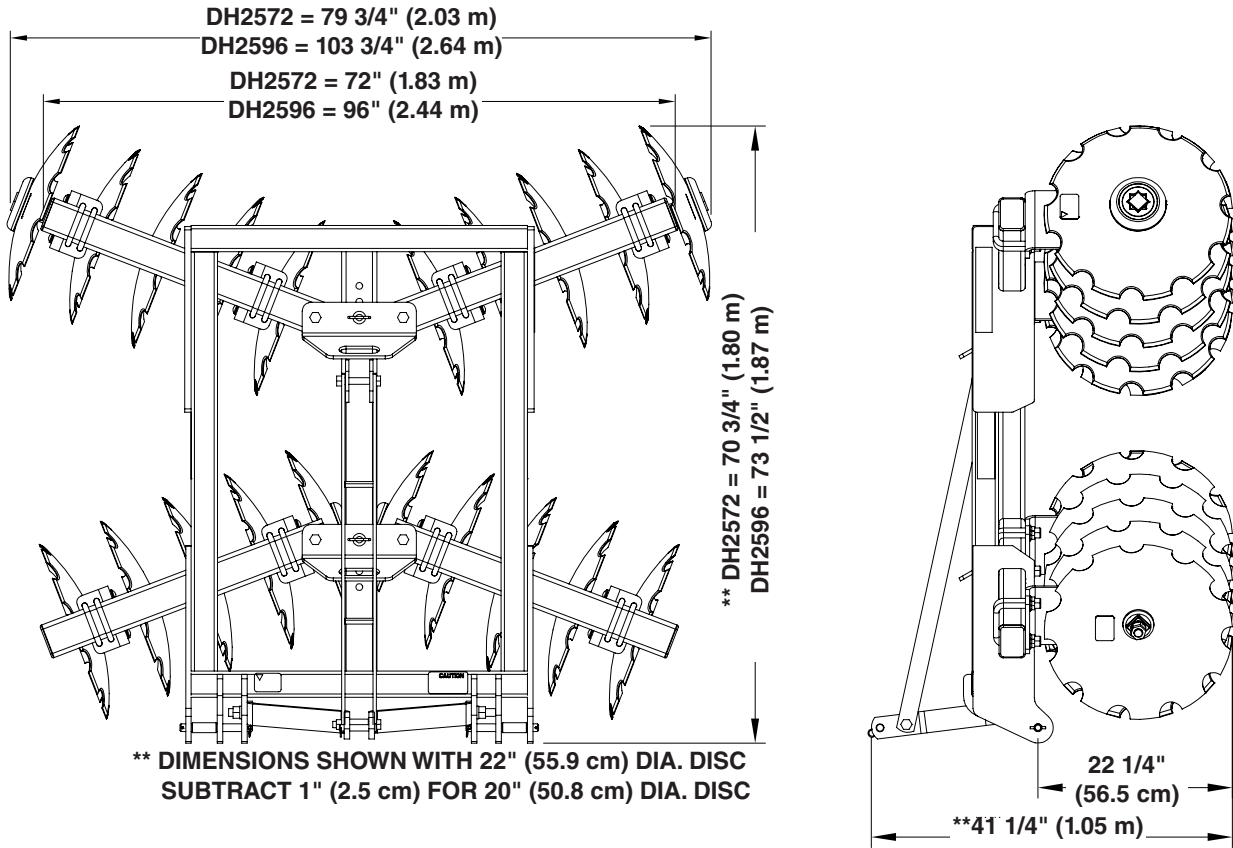
26751

DH10 Series Disc Harrow



26753

DH15 Series Disc Harrow



26756

DH25 Series Disc Harrow