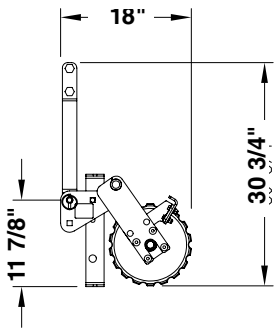
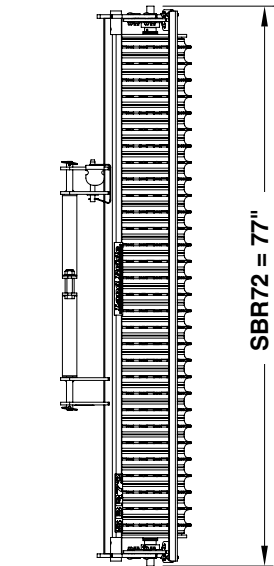


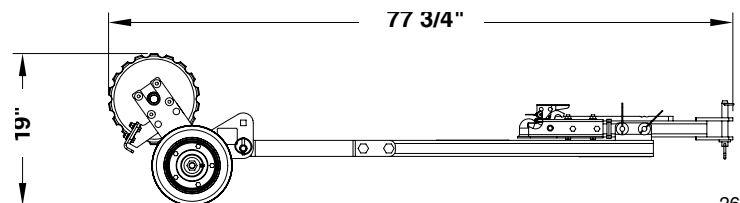
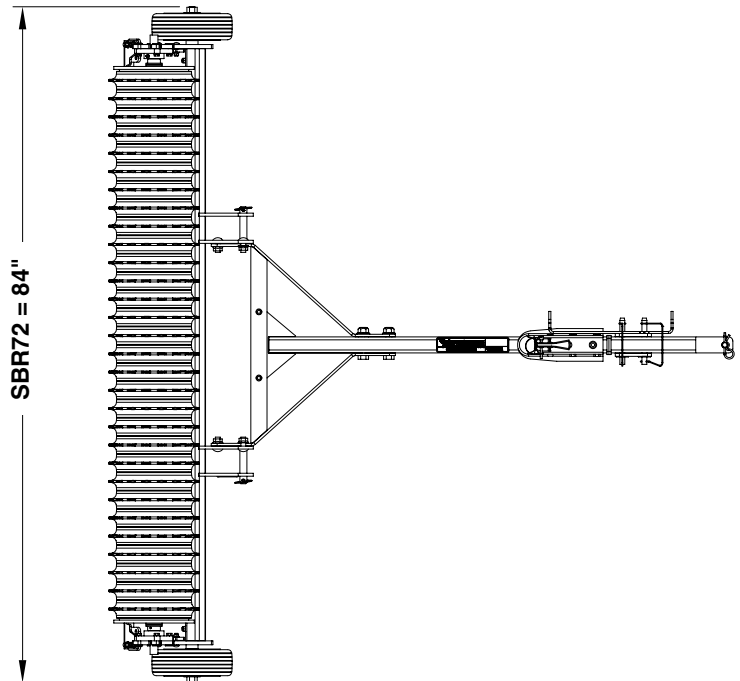
SBR72 Model

Specifications & Capacities		
Hitch Type	Three-Point	Pull-Type
Unit Weight	442 lbs.	478 lbs.
Minimum Required Tractor Weight	900 lbs.	600 lbs.
Working Width	69"	69"
Overall Width	77"	84"
Overall Length	18"	77"
Overall Height	30 3/4"	18.9"
Roller Diameter	11 3/8"	11 3/8"
Roller Material Construction	Notched Gray Iron	Notched Gray Iron
Hitch Type	Cat. 1 and Cat. 1 QH Compatible	Pull-type Clevis and Indexing 2" Ball Combination
Tractor HP Requirement	18-52 hp.	18-52 hp.
Roller Scrapers	Standard Equipment	Standard Equipment
Transport Wheels	N/A	Two 10" x 3 1/4" Solid Rubber Straight Ribbed Tread
Hitch Support Stand	Standard Equipment	Standard Equipment



26791

Three Point Type



26790

Pull Type