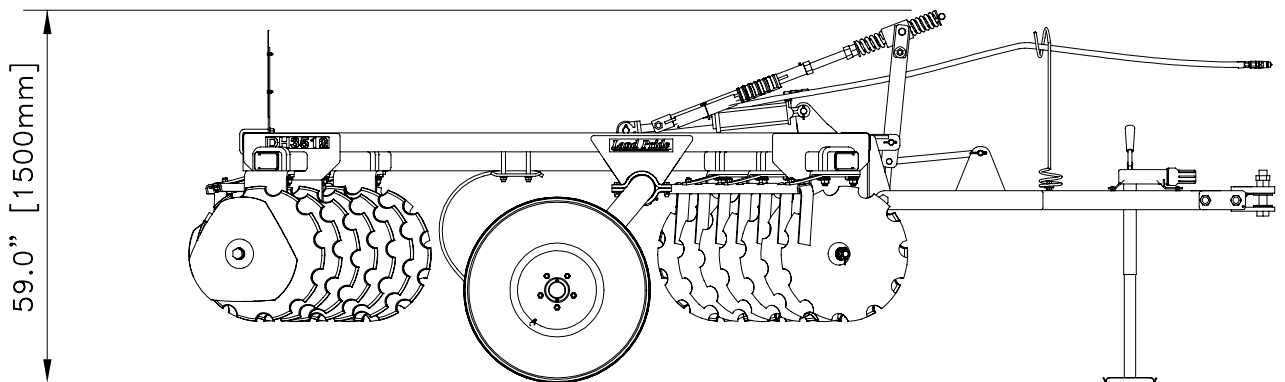
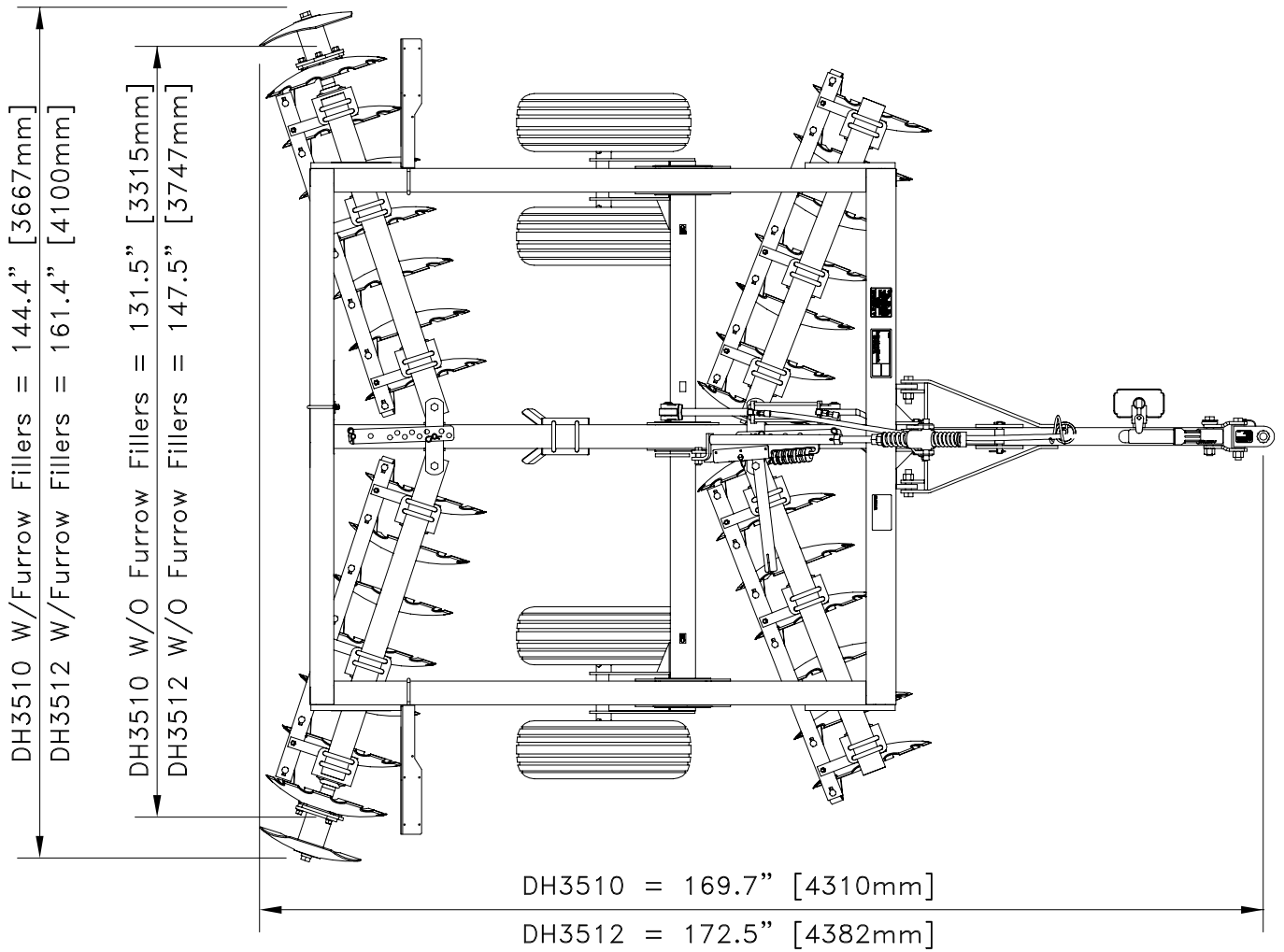


DH35 Series

Specifications & Capacities			
Model Numbers	Units	DH3510	DH3512
Drawbar horsepower requirement	hp (kW)	45-100 (33-75)	55-100 (41-75)
Weight with 20" discs on 7 1/2" spacing & no other options	lbs (kg)	2,491 (1130)	2,747 (1246)
Tongue Weight	lbs (kg)	179 (81)	172 (78)
Hitch type	in (cm)	Pull-type w/clevis & hole for 1 1/4 (3.2) pin	
Hitch frame construction	in (cm)	3 x 3 x 1/4 (7.6 x 7.6 x 0.6) Wall tubing w/hose carrier and park jack mount	
Transport width	ft-in (m)	10'-10" (3.3) Base unit	12'-4" (3.76) Base unit
Max. cultivation width	ft-in (m)	10'-6" (3.2) Approx.	12'-0" (3.66) Approx.
Mainframe Width	in (m)	93 (2.36)	
Approx weight load on each blade with 7.5" spacing	lbs (kg)	79 to 84 (36 to 38)	76 to 82 (35 to 37)
Approx weight load on each blade Blade with 9" spacing	lbs (kg)	87 to 93 (40 to 42)	81 to 86 (37 to 39)
Disc blade sizes and types	in (cm)	20 or 22 (51 or 56) Notched or smooth	
Disc blade spacing	in (cm)	7.5 or 9 (19 or 23)	
Disc bearing type		Greaseable & triple lip sealed ball bearings	
Number of bearings		12 For all ten foot disc configurations	12 For 9" (23 cm) disc spacing 16 For 7.5" (19 cm) disc spacing
Forward gang angle adjustment		Single pin adjustment to 15, 16 1/2, 18, 19 1/2, or 21 degrees	
Rear gang angle adjustment		Single pin adjustment to 12, 13 1/2, 15, 16 1/2, or 18 degrees	
Side mainframe construction	in (cm)	3 x 4 x 3/16 (7.6 x 10.2 x 0.5) Wall tubing with gussets	3 x 4 x 3/16 (7.6 x 10.2 x 0.5) Wall tubing with gussets
Mainframe front tube	in (cm)	5 x 3 x 1/4 (12.7 x 7.6 x 0.6) Wall tubing	
Center gang beam construction	in (cm)	4 x 3 x 1/4 (10.2 x 7.6 x 0.6) Wall tubing	
Gang swing arm	in (cm)	4 x 3 x 1/4 (10.2 x 7.6 x 0.6) Wall tubing	
Gang axle construction	in (cm)	1 1/8" Square hi-strength steel	
Front to rear leveling system		Manual crank adjustment	
Depth control		Cylinder stroke control spacers	
Hydraulic cylinder for depth/lift control		3" x 8" Hydraulic cylinder with hoses and fittings	
Transport tires & rims		Two 9.5L x 15 tires mounted on 15" x 6"	5-bolt rims
Disc scrapers		Optional	
Center sweep kit		Optional	
20" Rear furrow filler pair		Optional	
18" Rear furrow filler pair		Optional	
Park Jack		Optional	
Dual wheel transport kit		Optional	



26581

Overall Dimensions
Figure 6-1