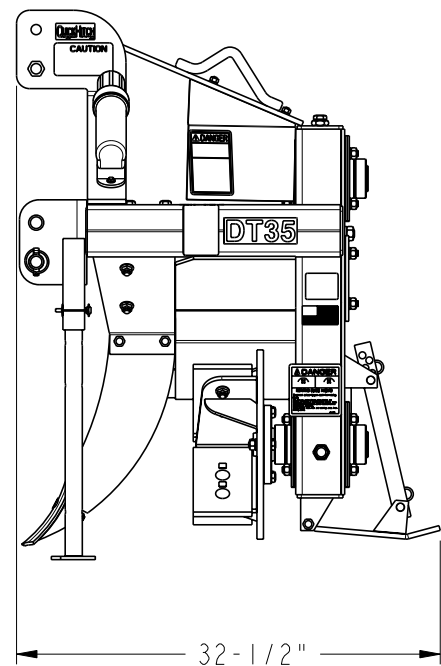
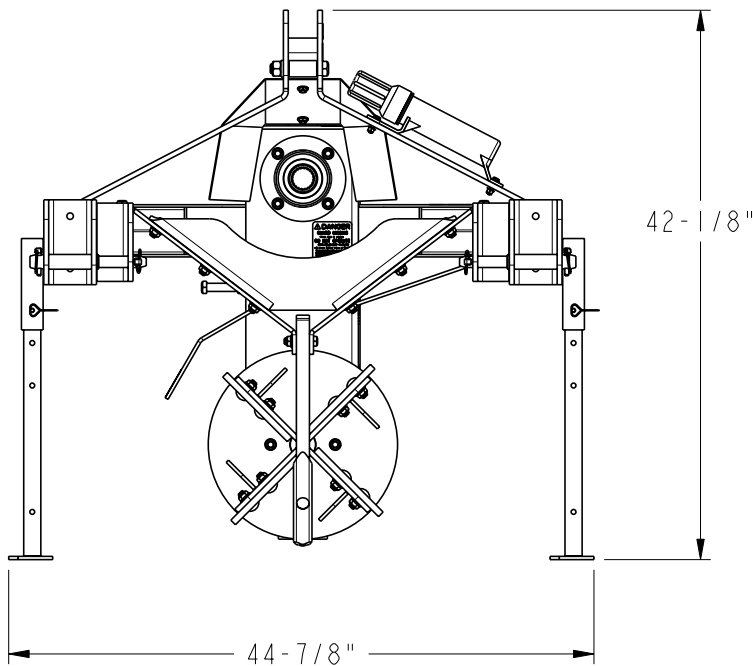


DT35 Series Powered Ditcher

Specifications & Capacities	
Horsepower Range	30 - 60 horsepower
Hitch	Cat. I & II, Quick-Hitch Adaptable
Machine Weight	390 lbs.
Tractor Power Take-Off	540 rpm
Impeller rpm	540 rpm
Impeller Diameter	Adjustable, 16" or 18"
Impeller Blades	4 ea., Replaceable 1/2" thick steel with hardened steel
Chain	Single #80 roller chain with positive tension bolt
Chain Case Oil	Shell Gadus S2 V2200 00 flowable grease Land Pride Part #821-045C (32 oz. bottle)
Input/Output Shafts	2" Cold rolled steel
Bearings	Sealed for life ball bearings
Driveline	Cat. 4 with shear-bolt
Ripper Shank	2 height adjustments to match impeller diameter Spring tine tip
Adjustable Skid Shoe	3/8" thick, replaceable



33447