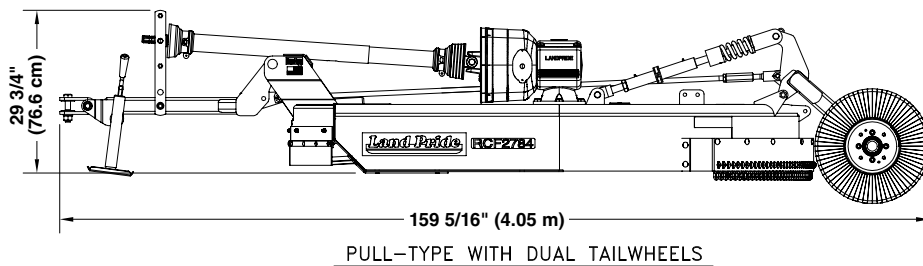
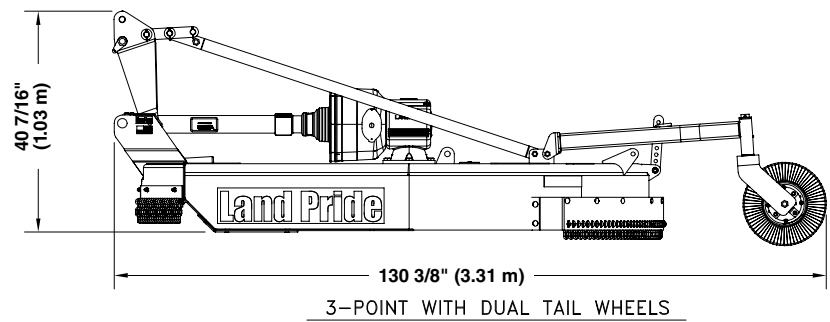
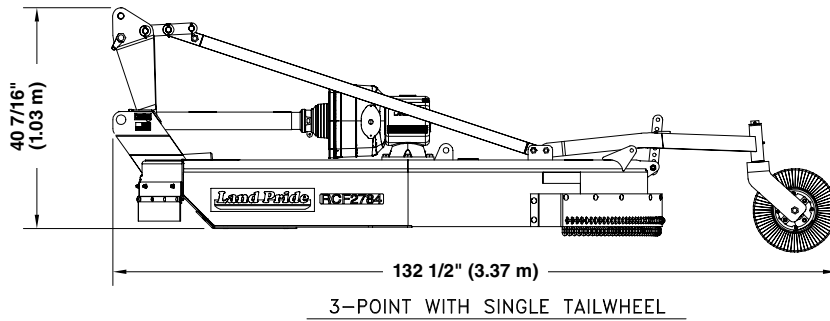
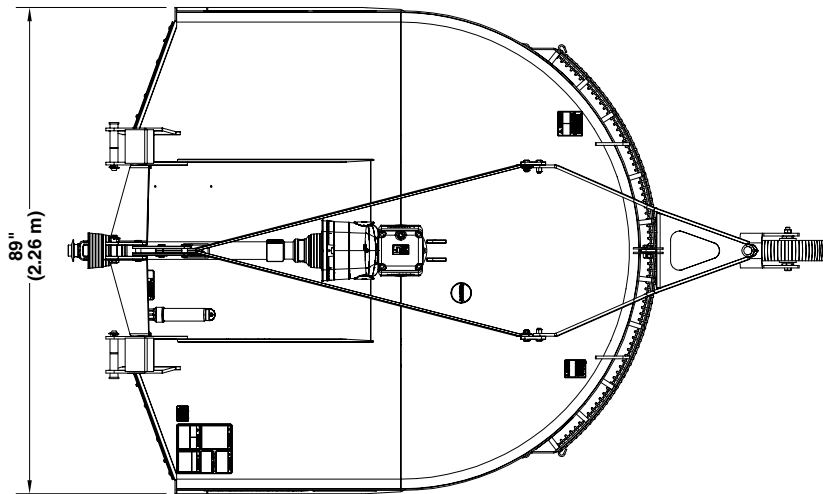


RCF2784 & RCR2684 Models

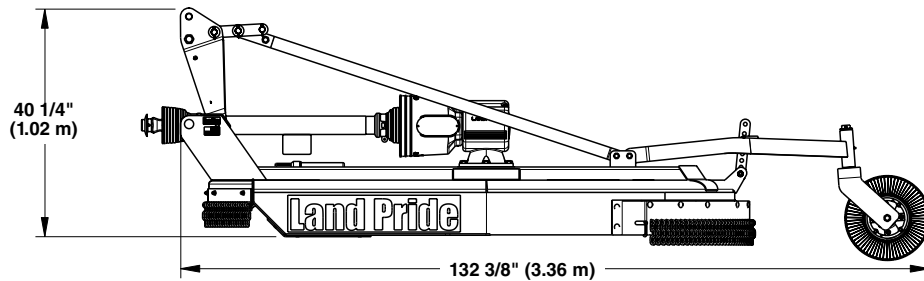
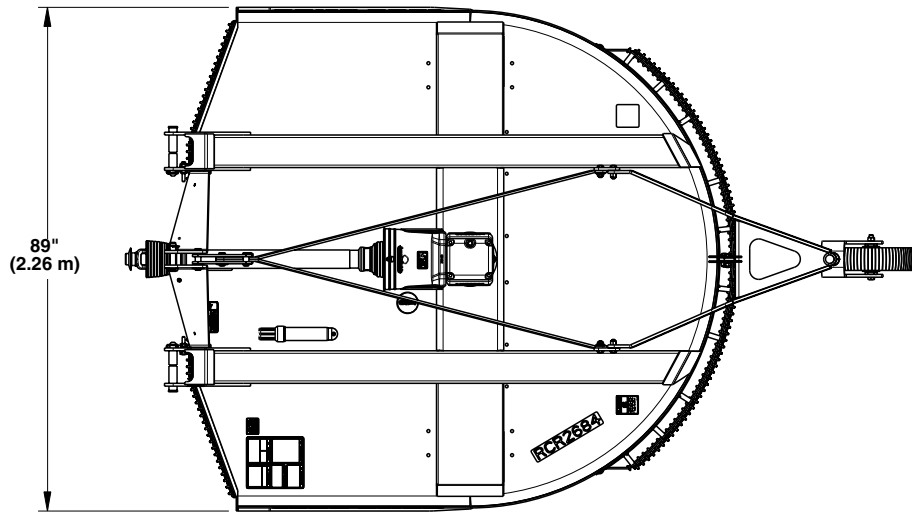
Specifications & Capacities			
		RCF2784	RCR2684
Machine weight 3-Point single tailwheel 3-Point dual tailwheel Pull-type dual tailwheel	lbs (kg)	1,354 (614) with front & rear chain guards 1,427 (647) with front & rear chain guards 1,632 (740) with front & rear chain guards and hydraulic adjustment	1,225 (556) with front & rear chain guards 1,298 (589) with front & rear chain guards N/A
3-Point hitch		Category II & III with floating top linkage, quick hitch adaptable	
Pull type tongue weight	lbs (kg)	687 (312)	N/A
Cutting width	in (m)	84 (2.13)	
Overall width	in (m)	89 (2.26)	
Overall length 3-Point single tailwheel 3-Point dual tailwheel Pull-type dual tailwheel	in (m)	132 1/2 (3.37) 130 3/8 (3.31) 159 1/4 (4.04)	132 1/2 (3.37) 130 3/8 (3.31) N/A
Deck height (bottom of deck to bottom of skid shoe)	in (cm)	10 1/8 (25.7)	9 7/8 (25.1)
Cutting height	in (cm)	1 1/2 (3.8) to 12 (30.5)	
Cutting capacity	in (cm)	3 (7.6) Diameter	
Recommended tractor horsepower	hp (kW)	60-130 (44.7-96.9)	
Power take-off speed		540 rpm	
Gearbox ratio		1:1.21	
Gearbox construction	in (cm)	Speed-up beveled gears, cast iron housing, 1 3/8 (3.5) - 6 spline input shaft and 2 (5.1) output shaft	
Gearbox oil capacity & type		6.5 Pints of EP 80-90W gear lube	
Deck construction		All welded deck	
Deck material thickness	ga (mm)	10 (3.4)	
Side skirt material thickness	in (mm)	1/4 (6)	
Skid shoes	in (mm)	1/4 (6) thick bolt-on replaceable skid shoes	
Stump jumper	in (cm)	3/16 (.5) x 24 (61) x 38 (96.5) Oval pan with 1 (2.5) thick blade holder bar	
Blades (2)	in (cm)	1/2 (1.3) x 4 (10.2) x 31 (78.7) Heat treated alloy steel free-swinging high lift	
Blade bolts		Keyed with harden flat washers & locknuts.	
Blade tip speed	fpm (mps)	14,369 (73)	
Driveline		ASAE Category 4	
Driveline protection		4 Plate slip clutch	
Tailwheel mount		Welded A-arm and caster fork with 360 degree swivel	
Tailwheel	in (cm)	4 (10.2) x 8 (20.3) x 15 (38.1) Laminated tire with cast iron hub	
Front guard		Rubber guard (optional) Single chain guard (optional) Double chain guard (optional)	Single chain guard (optional)
Rear guard		Metal band (standard) Single chain guard (optional) Double chain guard (optional)	Metal band (standard) Single chain guard (optional)

RCF2784

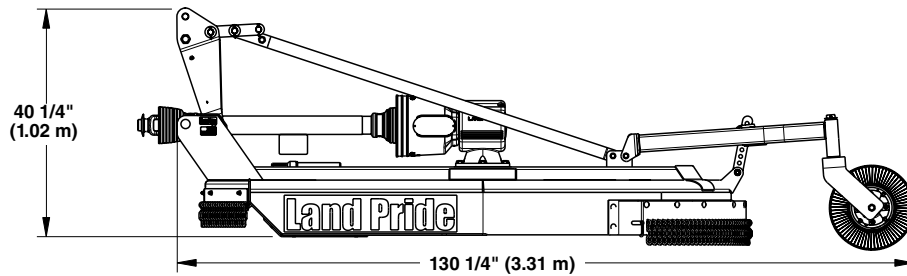


33037

RCR2684



3-POINT WITH SINGLE TAILWHEEL



3-POINT WITH DUAL TAILWHEELS

70207