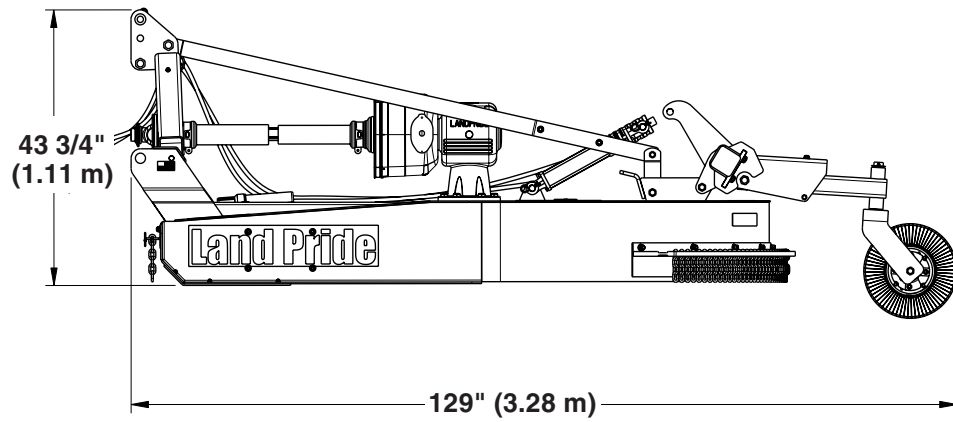
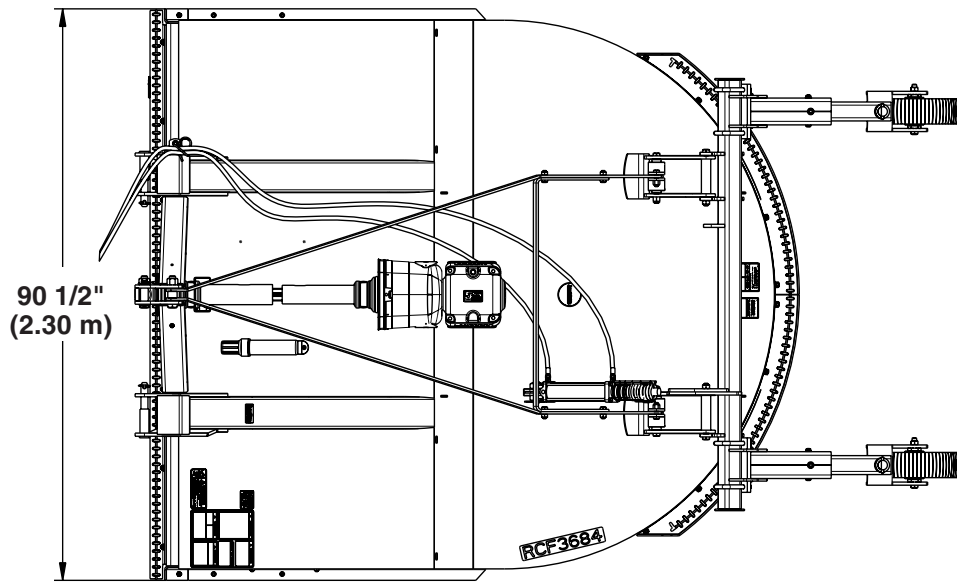


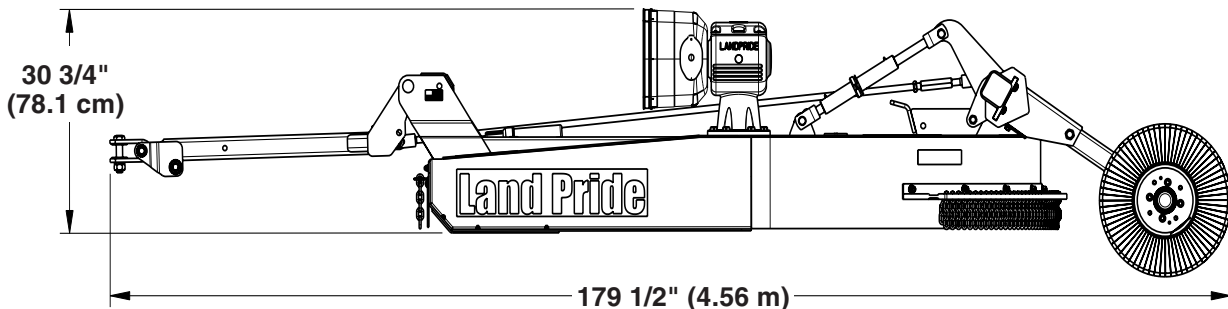
RCF3684 Model

Specifications & Capacities		
Model Numbers	RCF3684 3-Point Type	RCF3684 Pull-Type
Machine weight	2,000 lbs (907.2 kg) With front & rear single chain guards	2,104 lbs (954.4 kg) With hydraulic adjustment and front & rear single chain guards
Hitch	Category II or III with floating clevis top link, Quick Hitch adaptable	Pull-type with clevis
Pull type tongue weight	N/A	894 lbs (405.5 kg)
Cutting width	84" (2.13 m)	
Overall width	90 1/2" (2.30 m)	
Overall length	130" (3.30 m)	179 1/2" (4.56 m)
Deck height (Bottom of deck to bottom of skid shoe)	13 3/8" (34.0 cm)	
Cutting height	2" - 12" (5.1 cm to 30.5 cm)	
Cutting capacity	4" (10.2 cm) Diameter	
Recommended tractor horsepower	70-190 hp (52.2-141.7 kw)	50-190 hp (37.3-141.7 kw)
Power take-off Speed	540 rpm	
Gearbox	1:1.21 Speed-up beveled gears, Cast iron housing, 1 3/4" (4.4 cm) - 20 spline input shaft and 2 3/8" (6.0 cm) output shaft	
Gearbox lubricant	80-90W oil	
Gearbox oil capacity	10 pints (4.73 L)	
Deck construction	All welded deck	
Deck material thickness	3/16" (5 mm)	
Side skirt material thickness	1/4" (6 mm)	
Skid construction	Replaceable bolt on skid shoes	
Stump jumper / blade holder	3/16" (5 mm) Round dish shaped bolt-on stump-jumper with diamond shaped blade bar	
Blades (2)	1/2" x 4" (1.3 cm x 10.2 cm) Heat treated alloy steel free-swinging high lift - low friction	
Blade bolts	Keyed with harden flat washers & locknuts	
Blade tip speed	14,369 fpm (73.0 mps)	
Driveline	ASAE category 5 with 4-plate slip clutch	
Driveline protection	4 plate slip clutch	
Transport axle	Cushioned shock absorption	
Rear deck height adjustment options	Ratchet jack or hydraulic cylinder	
Tailwheel	4" x 8" x 15" Laminated tire with cast iron hub	4" x 8" x 21" Laminated tire with cast iron hub
Front guard	Optional: Rubber belting, single chain guard or double chain guard	
Rear Guard	Optional: Single chain guard or double chain guard	
Jack Stand	Jack stand on tongue of pull-type cutter	



3-Point Rotary Cutter

30891



Pull-Type Rotary Cutter

30892