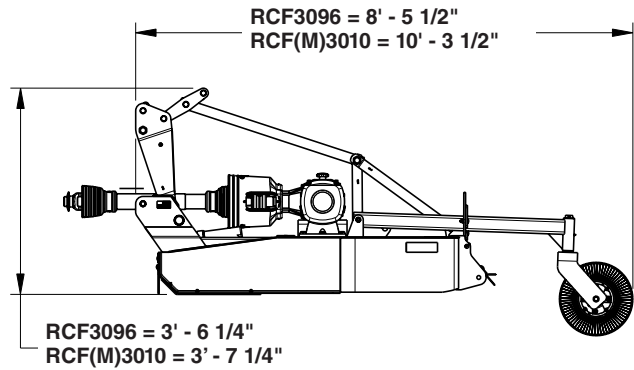
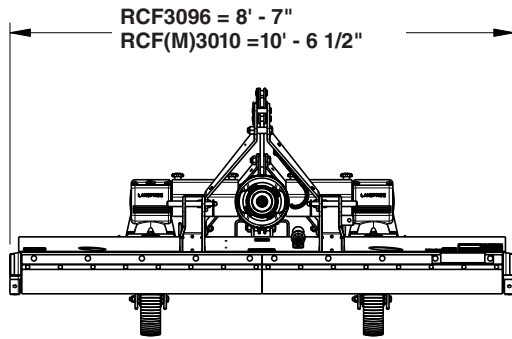


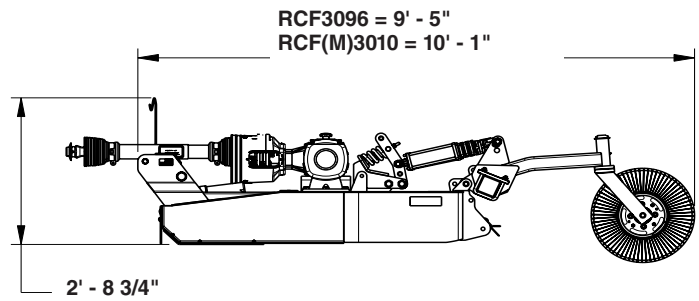
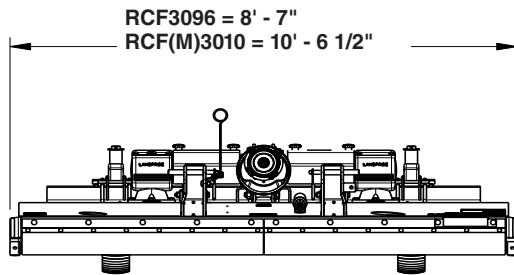
RCF3096 & RCF(M)3010 Models

| Specifications & Capacities | | |
|------------------------------------------------------------------------------------------------------------------------------|---------------------------------------------------------------------------------------------------------------------------------------------------------------------------|-------------------------------------------------------------------------------------------------------|
| Model Numbers | RCF3096 (540 rpm) | RCF3010 (540 rpm) RCFM3010 (1000 rpm) |
| Machine weight with front & rear rubber guards. Includes hydraulic cylinder & 21" wheels with semi-mount and pull type units | 3-Point mount w/ 15" wheels = 1,587 lbs. Semi-mount =1,800 lbs. Pull-type = 1,976 lbs. | 3-Point mount = 2,004 lbs. Semi-mount =2,042 lbs. Pull-type = 2,214 lbs. |
| Hitch | 3-Point & semi-mount Category 1 & 2 Quick Hitch Adaptable Pull-type - with dual self level rods | 3-Point & semi-mount Category 2 & 3 Quick Hitch Adaptable Pull-type - with dual self level rods |
| Pull type tongue weight | 893 lbs | 983 lbs |
| Park jack | Park jack attaches to the tongue of the pull type cutter | |
| Cutting width | 8' - 0" | 10' - 0" |
| Overall width | 8' - 7" | 10' - 6 1/2" |
| Overall length | 3-point mounted semi-mounted pull-type | 8' - 6" 9' - 5" 12' - 5" |
| Deck height | 11 1/4" | 11 1/2" |
| Cutting height | 2" - 12" | |
| Cutting capacity | 2 1/2" | |
| Tractor Hp rating | Lift-type - 50 - 110 Pull/semi - 40 - 110 | Lift-type - 60 - 110 Pull/semi - 50 - 110 |
| Gearbox horsepower rating | T-box - 160 hp, outboard 110 hp | |
| Gearbox | 540 rpm gearbox Cast iron housing, beveled gears | 540 rpm or 1000 rpm gearbox Cast iron housing, beveled gears |
| Gearbox input / output shaft size | Input shaft = 1 3/4" - 20 spline Output shaft = 2" dia. | |
| Gearbox lubrication | 80-90w EP gear lube | |
| Gearbox oil capacity | end boxes T-box | Comer = 6 pints Comer = 4.5 pints |
| Deck material thickness | 10 gauge | |
| Deck side skirt thickness | 1/4" | |
| Skids | Replaceable | |
| Stump jumper | 2 ea. - 3/16" Round pan | |
| Blades (4) | 1/2" x 4" Heat treated Free-swinging suction blades | |
| Blade bolts | Keyed with harden flat washer and locknut | |
| Blade tip speed | 540 rpm 16,360 fpm | 540 rpm 17,100 fpm 1000 rpm 17,300 fpm |
| Driveline | 3-point & semi-mount pull type | ASAE Cat 4 ASE Cat. 4 equal angle shaft or constant velocity u-joint |
| Driveline protection | 540 rpm - 4 plate slip clutch Rubber flex coupler to wing boxes | 540 rpm - 4 plate slip clutch 1000 rpm - 2 plate slip clutch Rubber flex coupler to wing boxes |
| Tailwheel options | 3-point without rear axle: 2 tires 3-point with rear axle: 2 tires semi-mount: 2 tires pull-type w/single spindle: 2 tires pull-type w/dual spindles: 4 tires | |
| Wheel bearings | Tapered roller bearing in cast iron hub | |
| Shock absorption | Spring shock absorber on axle of semi-mount & pull type | |
| Front guard | Optional: Rubber deflector, single chain guard, or double chain guard | |
| Rear guard | Optional: Rubber deflector, single chain guard, or double chain guard | |



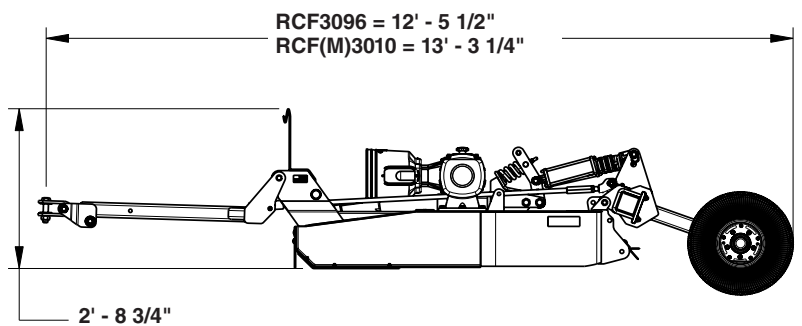
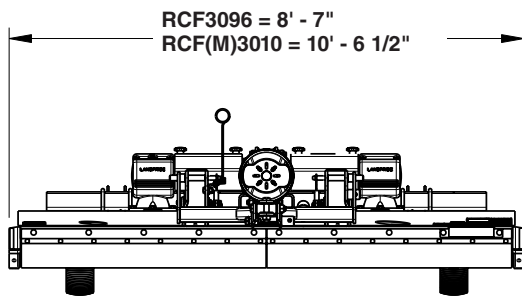
35061

3-Point Mounted Rotary Cutter (RC3096 Shown)



35062

Semi-Mounted Rotary Cutter (RC3096 Shown)



33969

Pull-Type Rotary Cutter (RC3096 Shown)