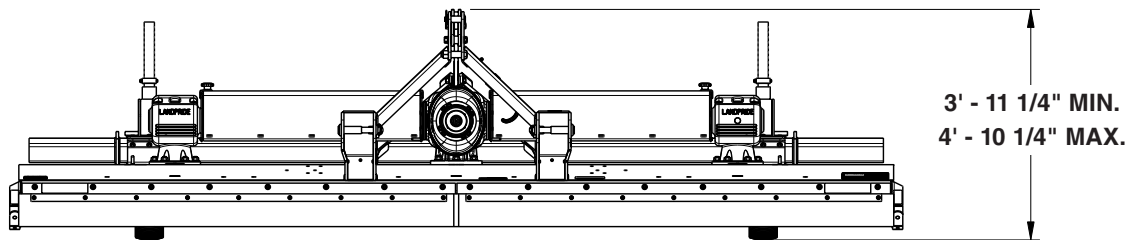
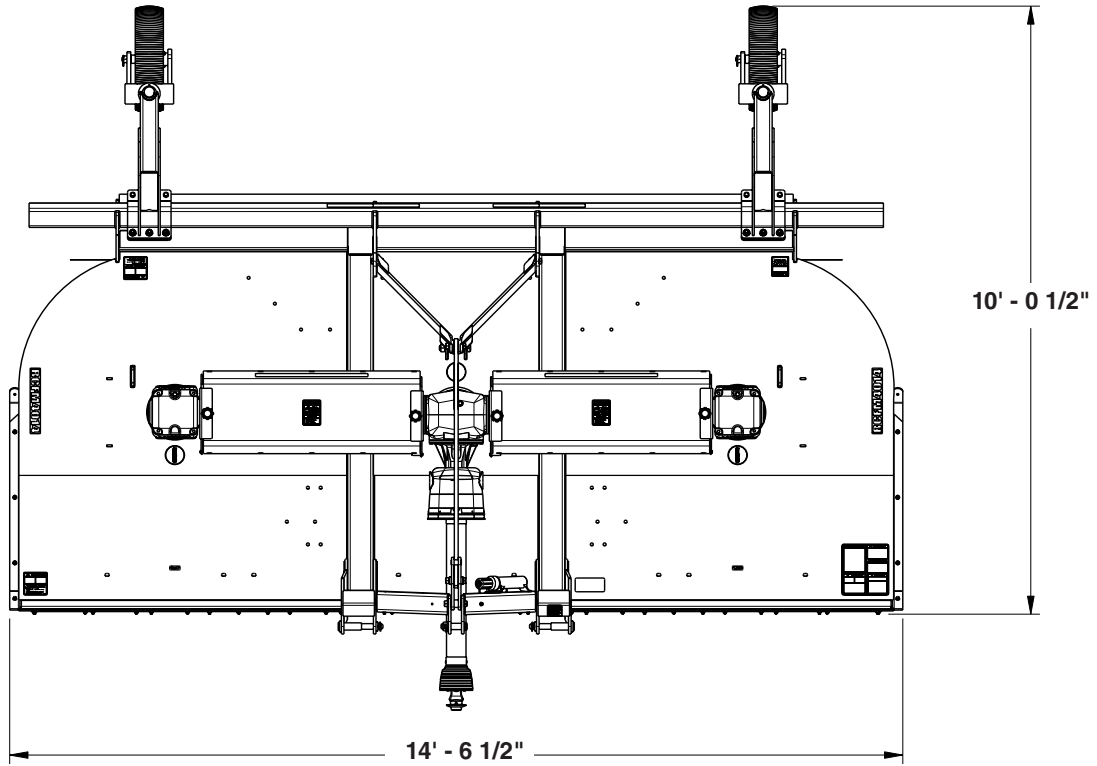


RCFM4014 Models

| List | Specifications & Capacities |
|---|--|
| Weight With dish pan option, front rubber guard, & rear metal guard | 3,350 lbs. |
| Hitch | 3-Point category 2 & 3 |
| Cutting width | 14' - 0" |
| Overall width | 14' - 6 1/2" |
| Overall length | 10' - 0 1/2" |
| Deck height | 12" |
| Cutting height | 2" - 12" |
| Cutting capacity | 3" |
| Tractor horsepower rating | 80 hp minimum |
| Gearbox rating horsepower | T-box - 250 hp, outboard 210 hp |
| Gearbox | 1000 rpm power take-off driven gearbox with cast iron housing and beveled gears |
| Gearbox input/output shaft size | Input shaft = 1 3/4" - 20 spline Output shaft = 1 3/4" dia. |
| Gearbox lubrication | 80-90W EP Gear Lube |
| Gearbox oil capacity | End boxes T-box |
| Deck material thickness | 10 Gauge |
| Deck side skirt thickness | 1/4" |
| Skid shoes | Replaceable and reversible |
| Tailwheels | 6" x 9" x 21" Laminated caster |
| Wheel bearings | Tapered roller bearing in cast iron hub |
| Intermediate driveline | Cat 4 with spring loaded torque dampener |
| Blade bolts | Keyed with harden flat washer and locknut |
| Blade tip speed | At center T-box At outboard gearboxes |
| Driveline protection | Main Intermediate |
| Options | |
| Blade options | Dish pan Shredder kit, 30" row Shredder kit, 38" & 40" row Shredder kit w/o fixed blades |
| Main driveline options | 1 3/8" Connection to power take-off 1 3/4" Connection to power take-off |
| Front guard options | Optional: Rubber deflector or single chain guard |
| Rear guard options | Optional: Metal guard, rubber deflector, or single chain guard. |
| Tailwheel options | Optional: 2 tailwheels or 3 tailwheels |
| Breakaway light kit | 6 pin hook-up connector, amber lights facing forward, amber & red light facing rearward Lights are mounted on a spring-loaded, self-return, pivoting breakaway mount. |



37178