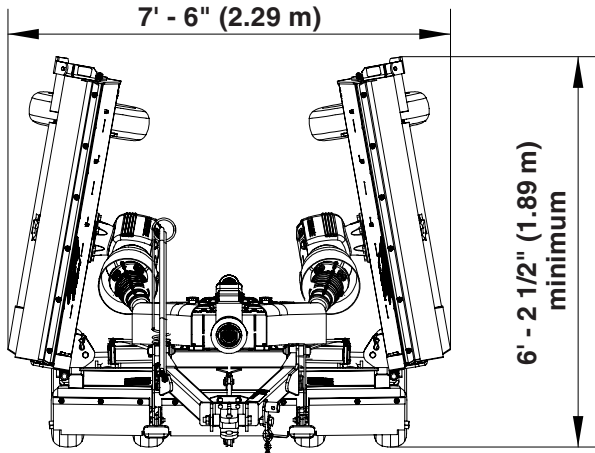
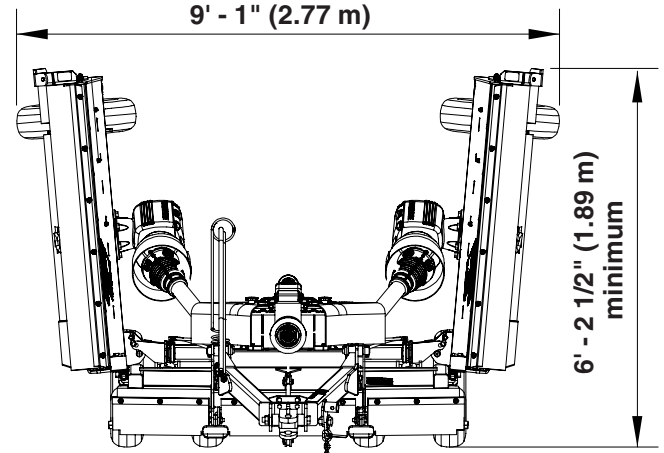


## RC(M)5615 &amp; RC(M)6615 Series 2

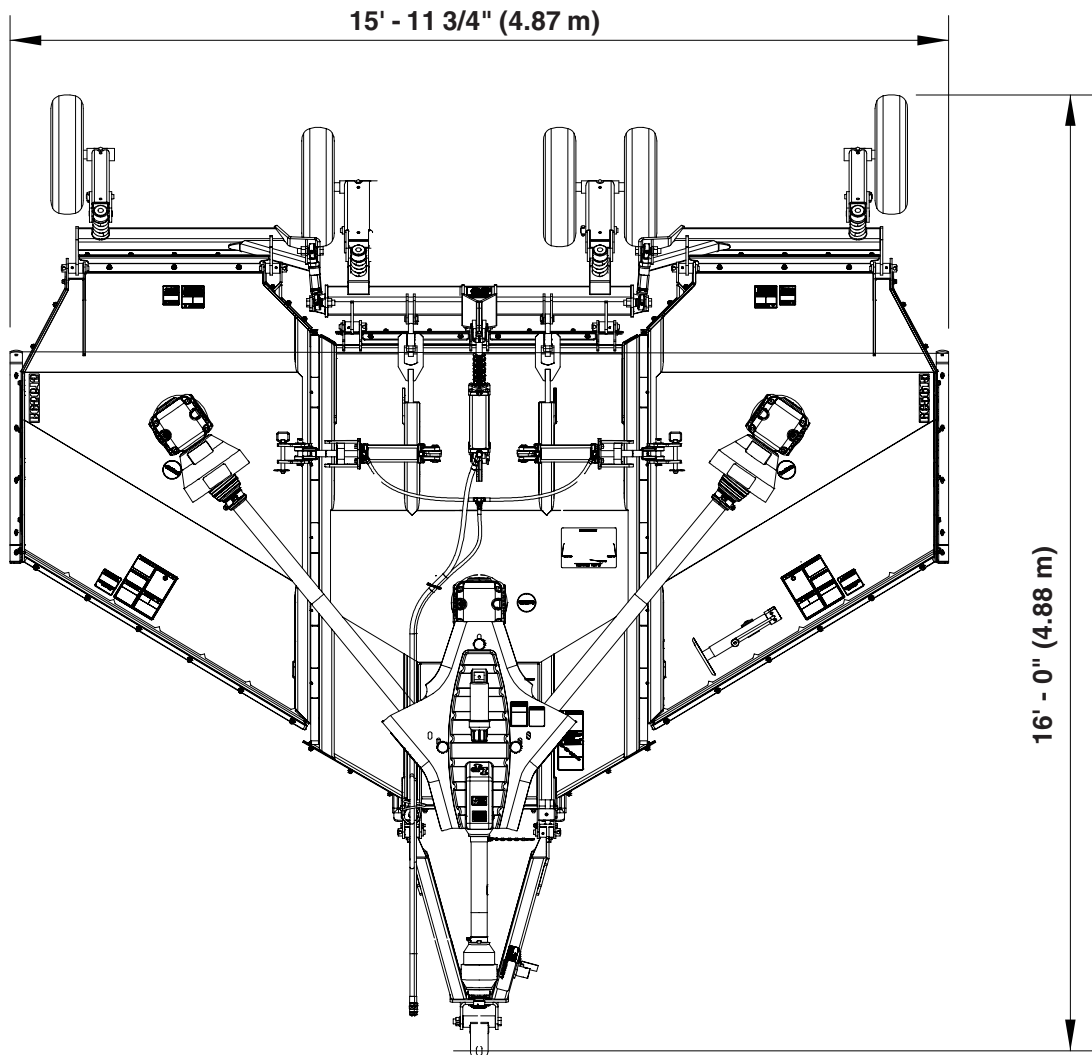
Specifications & Capacities		
Model Numbers	RC5615 & RCM5615	RC6615 & RCM6615
Horsepower range	50 to 250 hp (37.3 to 186.4 kw)	
Gearbox horsepower	250 hp (186.4 kw) Splitter 210 hp (156.6 kw) Center & Wing	250 hp (186.4 kw) Splitter 210 hp (156.6 kw) Center & Wing (Blade spindle gearboxes are built heavier)
Gearbox lubrication	Gear lube 80-90W EP	
Gearbox oil capacity	5.5 Pints (2.60 L): Divider gearbox 10 Pints (4.73 L): Center deck, LH deck & RH deck spindle gearboxes	
Cutting capacity	4" (10.2 cm)	4 1/2" (11.4 cm)
Tongue weight	1,860 lbs (843.7 kg)	
Machine weight	Single row chain guards, 6 aircraft wheels, 540 CV main driveline & standard clevis hitch	
	5,446 lbs (2470.3 kg)	5,660 lbs (2567.3 kg)
Blade tip speed	At 540 rpm	Center blades = 16,300 FPM (82.8 mps)
	At 1000 rpm	Center blades = 16,300 FPM (82.8 mps)
		Wing blades = 16,300 FPM (82.8 mps) Wing blades = 16,000 FPM (81.3 mps)
Hitch types	Optional Self-Leveling Clevis Hitch, LP Performance Hitch, Bar-Tite Hitch, Pintle Hitch, or Ball Hitch	
Hitch jack	Standard (7,000 lbs)(3175.1 kg)	
Signal lights	LED	
7 Pin connector	SAE J560 pin configuration	
Cutting width	15' - 0" (4.57 m)	
Overall width	15' - 11 3/4" (4.87 m)	
Normal transport width	9'-1" (2.77 m)	
Minimum transport width	7'-6" (2.29 m) With transport locks & deflectors removed and cylinders fully retracted	
Overall length	16' - 0" (4.88 m)	
Deck height	12" (30.5 cm)	
Cutting Height	2" to 14" (5.1 cm to 35.6 cm)	
Lift hydraulics	3 1/2" Bore x 8" stroke hydraulic cylinder, hoses, fittings & stroke control spacers	
Wing hydraulics	3" Bore x 8" stroke hydraulic cylinders, hoses & fittings	
Wing Transport protection	Wing transport lock pins	
Deck material	10 gauge (3.4 mm) top deck and 7 gauge (4.6 mm) bottom deck	
Side skirt material	Bolt-on replaceable 1/4" (6 mm) steel	
Skid shoes	Wing deck	Reversible & replaceable: 2 straight skid shoes and 2 AR400 leading skid shoes.
	Center deck	Replaceable: 2 skid shoes
Blades - 6 (2 per carrier)	1/2" x 4" (1.3 cm x 10.2 cm) Heat treated free swinging alloy steel with up lift	
Blade overlap	6" (15.2 cm)	
Blade bolt	Keyed with hardened flat washer & locknut	
Stump jumper / blade holder	3/16" (5 mm) Thick round dish-shaped pan, reinforced with 1" x 5" (2.5 cm x 12.7 cm) blade bar; or optional shredder kit	
Deck ring	Optional 1/2" x 3" (1.3 cm x 7.6 cm) fully welded	
Front & rear guards	Optional rubber, single chain, double chain, or double chain with cable	
Input driveline 540 & 1000 rpm	Cat. 6 with constant velocity u-joint or Cat. 5 with conventional (non-cv) u-joint	
Intermediate driveline	Category 5 star profile with slip-clutch	
Wing drivelines	Category 4 star profile with slip-clutch or optional Cat. 5 w/slip clutch	Category 5 star profile with slip-clutch
Tire Options	6" x 21" Laminated tires, 25.5" new tire with or without foam fill, 29" x 16 ply used aircraft tires without foam filling.	
Number of wheels	6 - Wheel option: 4 on transport axle and one on each wing axle 8 - Wheel option: 4 on transport axle and two on each wing axle	
Transport axle	Spring-cushioned on trailing arms	
Hubs	Cast iron five-bolt hubs with tapered roller bearings and 1 3/4" (4.4 cm) shafts	



Transport Width  
With Transport Locks &  
Deflectors Removed And  
Cylinders Fully Retracted



Transport Width  
Without Special Adjustments.  
Cylinders Are Fully Retracted.



26670

Dimensions shown are with center hydraulic cylinder fully extended and 24 x 7.75 (61 cm x 19.7 cm) aircraft tires