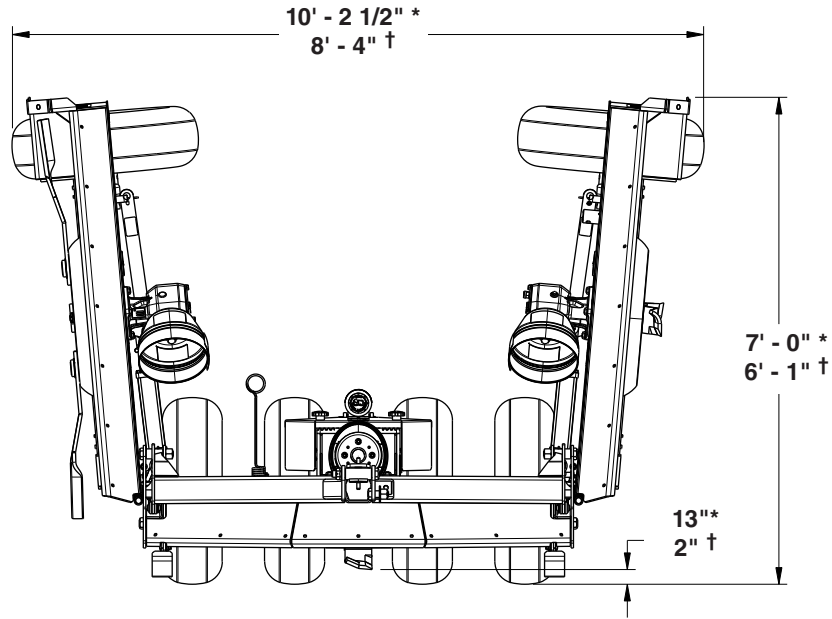


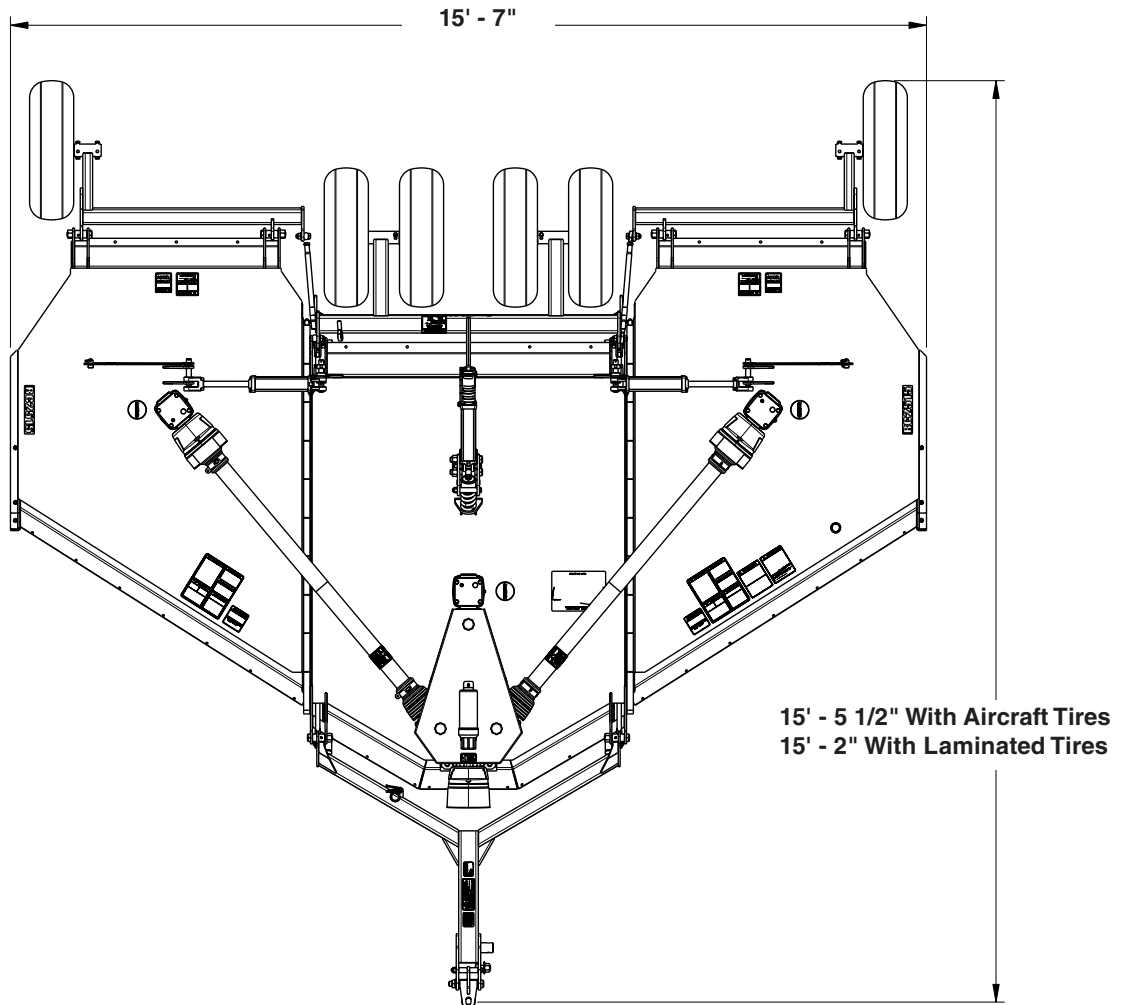
**RC2515 Model**

<b>Specifications &amp; Capacities</b>	
<b>Tractor Horsepower</b>	50-100 hp
<b>Gearbox horsepower</b>	160 hp
<b>splitter center &amp; wings</b>	100 hp
<b>Gearbox shafts</b>	1 3/8" 6 Spline
<b>input shaft</b>	1 5/8"
<b>output shaft</b>	
<b>Gearbox capacity &amp; lubrication</b>	4.5 Pints of gear lube 80-90W EP
<b>splitter center &amp; wings</b>	5.75 Lints of gear lube 80-90W EP
<b>Cutting capacity</b>	1 1/2"
<b>Hitch weight</b>	1,022 lbs.
<b>Machine weight</b>	3,202 lbs. with chain guards & four laminated tires.
<b>Blade tip speed at 540 rpm</b>	Center blades & wing blades = 14,963 FPM
<b>Hitch types</b>	Pull-type hitch & clevis
<b>Hitch jack</b>	Standard (2,000 lbs.)
<b>Cutting width</b>	15' - 0"
<b>Overall width</b>	15' - 7"
<b>Normal transport width</b>	10' - 2 1/2" With transport locks set and cutting blade 13" off the ground.
<b>Minimum transport width</b>	8' - 4" With transport locks set and cutting blade 2" off the ground.
<b>Overall length</b>	15' - 2" With laminated tires
	15' - 5 1/2" With aircraft tires
<b>Deck height</b>	11 1/4"
<b>Cutting height</b>	2" to 13"
<b>Lift hydraulics</b>	2 1/2" x 8" hydraulic cylinder, hoses, fittings & stroke control spacers
<b>Wing hydraulics</b>	2 1/2" x 10" hydraulic cylinders, hoses & fittings
<b>Wing transport protection</b>	Wing transport locks
<b>Deck material</b>	10 Gauge deck
<b>Side skirt material</b>	1/4" Plate
<b>Skid shoes</b>	Wing Deck: 1 replaceable shoe per wing Center Deck: 2 replaceable shoes
<b>Blade rotation</b>	Clockwise
<b>left wing</b>	Counterclockwise
<b>center deck</b>	Counterclockwise
<b>right wing</b>	
<b>Blades - 6 (2 per deck)</b>	1/2" x 4" Heat treated free swinging alloy steel with up lift
<b>Blade overlap</b>	6"
<b>Blade bolt</b>	Keyed with hardened flat washer & locknut
<b>Stump jumper / blade holder</b>	10 Gauge round dish shaped pan, reinforced with 1" x 4" blade bar
<b>Front &amp; rear guards</b>	Single chain or rubber
<b>Input driveline</b>	ASAE Category 4 with constant velocity u-joint
<b>Intermediate &amp; wing drivelines</b>	ASAE Category 3 with slip-clutch
<b>Wheels</b>	29" Used aircraft tires or 21" laminated wheels
<b>Number of wheels</b>	4 or 6 Total
<b>Transport axle</b>	Spring-cushioned lift cylinder
<b>Hubs</b>	Cast iron five-bolt hubs with tapered roller bearings and 1 3/4" shafts.
<b>Colors</b>	Standard color: Beige; Optional colors: Green, Orange, or Red



35140

- \* Normal Transport Dimensions With Transport Locks Set & Unit Fully Raised
- † Minimum Transport Dimensions With Transport Locks Set & Unit Lowered



35130

Dimensions Shown With Hydraulic Lift Cylinder Fully Retracted and Center Deck Cutting Blade 2" Off The Ground