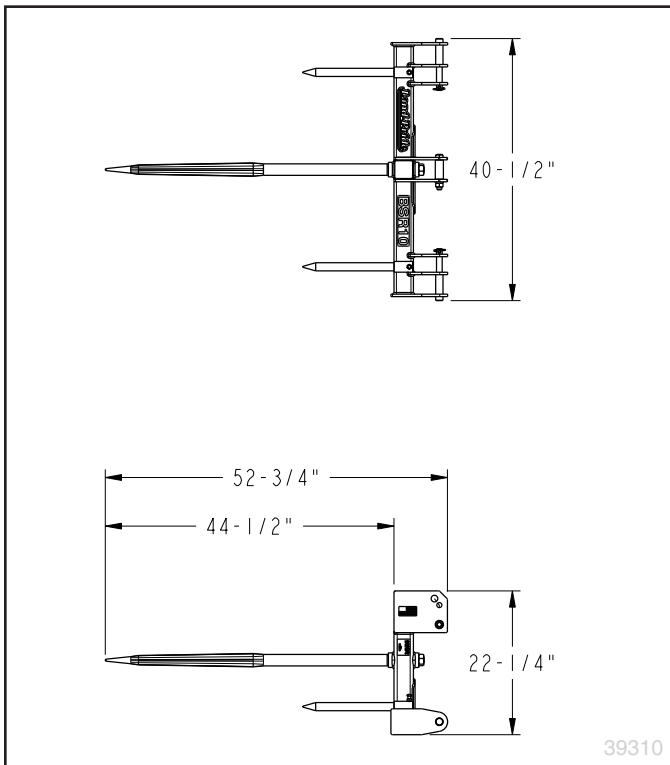
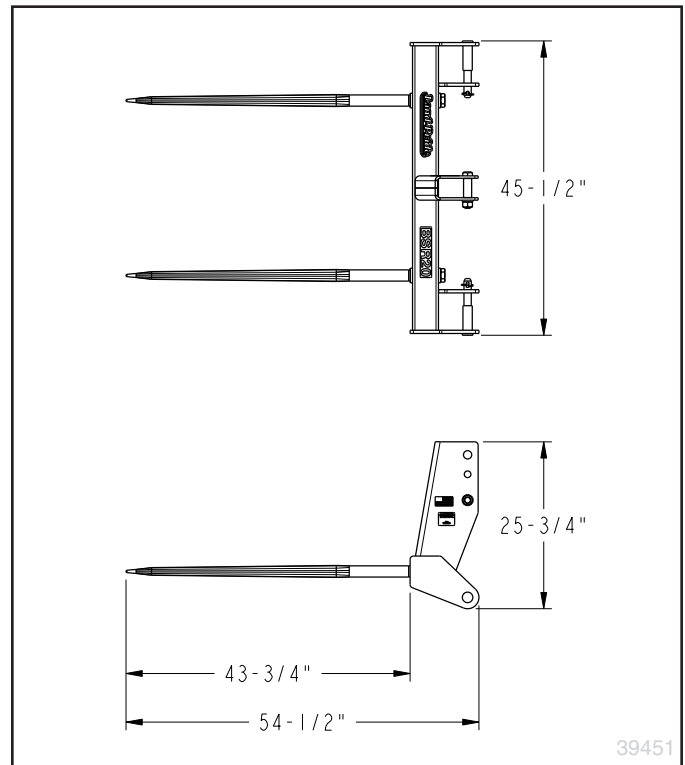


BSR Series

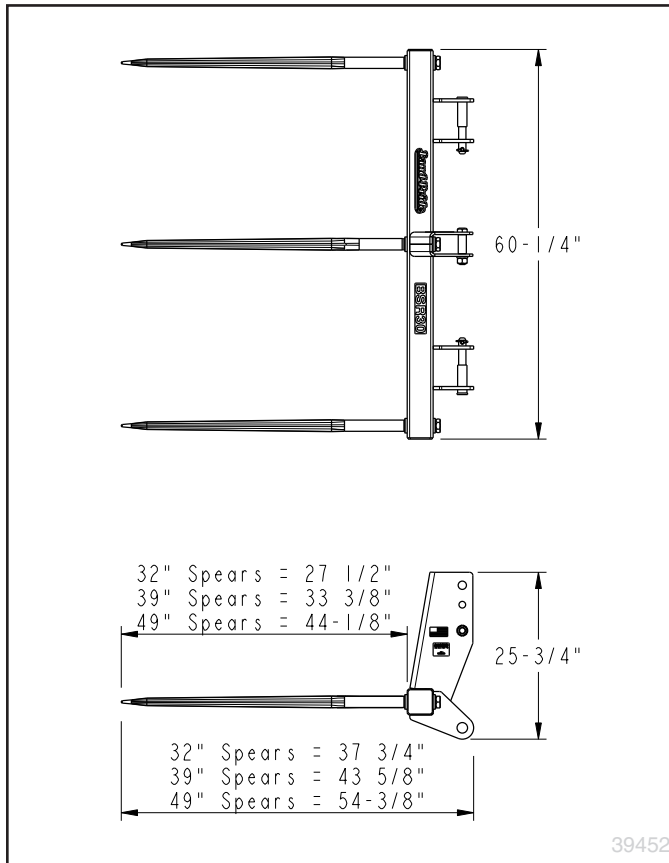
Specifications & Capacities				
Model No.	BSR10	BSR20	BSR30	BSR40
Frame lift capacity 24" from face of frame	1 - Round bale up to 2,000 lbs	1 - Round bale up to 3,000 lbs	1 - Square bale up to 3,000 lbs	2 - Round bales up to 4,000 lbs total
3-Point hitch category	Cat. I & Cat. II	Cat. II & Cat. III		
Quick Hitch Compatible	Yes, if Bale Spear is supported on blocks.			
Spear diameter	1 3/4"	1 3/4"	1 3/4"	1 3/4"
Number of spears	1	2	3	4
Spear overall length	49"	49"	32" Option 39" Option 49" Option	49"
Spear probe length Face of frame to end of point	44 1/2"	43 3/4"	32" Spear = 27 1/2" 39" Spear = 33 5/8" 49" Spear = 44 1/8"	44 1/8"
Weight of unit	112 lbs.	152 lbs.	32" Spear = 165 lbs 39" Spear = 170 lbs 49" Spear = 180 lbs	252 lbs
Number of spikes	2	N/A	N/A	N/A
Spike diameter and probe length	1 1/4"	N/A	N/A	N/A
Spike probe length Face of frame to end of point	14"	N/A	N/A	N/A



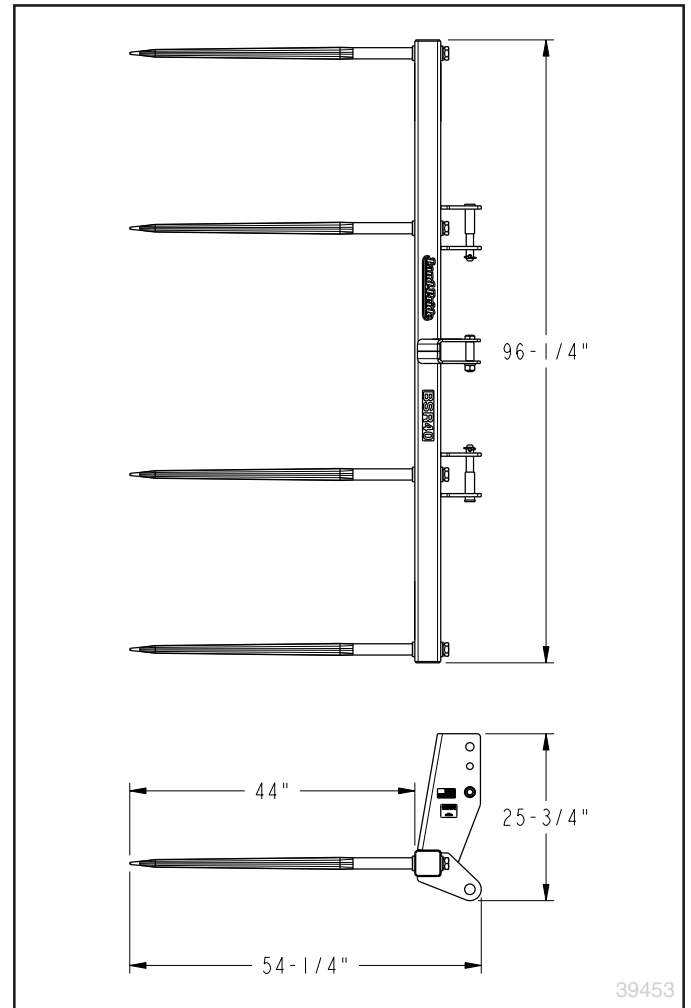
BSR10



BSR20



BSR30



BSR40