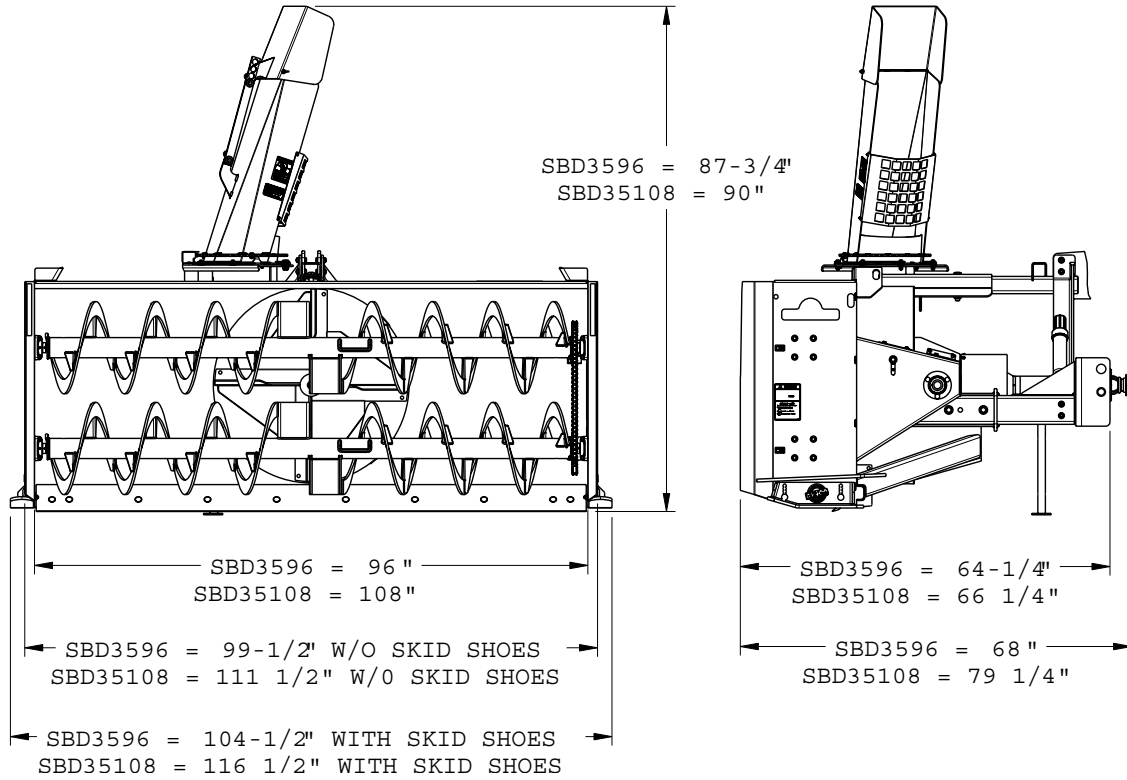




SBD35 Series

Specifications & Capacities		
Model No.	Model SBD3596	Model SBD 35108
Tractor Horsepower	85-125 hp	120-180 hp
Working Height	40"	40"
Working Width	96"	108"
Overall Width With Outer Skid Shoe Option	101 1/2"	113 1/2"
Weight: Includes Hydraulic Deflector Cylinder and Excludes Skid Shoes	1,614lbs.	1,964 lbs.
PTO Speed	540 rpm	540 rpm Optional 1000 rpm
3-Point Hitch Category	Cat. II & III	
Hitch Adjustment	2 Position	
Quick Hitch Compatible	Yes, except with some large tractors.	Yes
Main Housing Material	10 Gauge	3/16"
Side Plate Material	1/4"	
Grader Blade	Bolt-on, reversible, and replaceable hardened steel full length	
Chute Opening At Base	12"	15 5/8"
Chute Rotation	220 Degrees (Hydraulically driven sprocket)	
Impeller Housing Depth	10 1/8"	12 3/8"
Impeller Diameter	34"	
Number of Impeller Blades	4	
Auger Diameter	16"	
Auger Flighting	3/8" x 2 1/2" (Before rolling)	
Number of Paddles Per Auger	4	
Gearbox Oil Capacity & Type	3.59 Pints of SAE 90W Gearlube	5.28 Pints of SAE 90W Gearlube
Drive Chain	#60 RC	#80 RC
Driveline Category {Options}	Cat. 5, 1 3/8 - 21 spline, Shearbolt protected Cat. 5, 1 3/4 - 20 spline, Shearbolt protected	
Driveline Shearbolt Size	M10 x 1.5 x 55 GR8.8 (See "Replace Driveline Shearbolt" on page 30.)	M10 x 1.5 x 60 GR8.8 (See "Replace Driveline Shearbolt" on page 30.)
Drive Shaft Shearbolt Size	1/4" -20 Grade 5 bolt (See "Replace Drive Shaft Shearbolt" on page 30.)	
Optional Equipment		
1000 RPM Reduction Box	N/A	Yes
Bolt-on Outer Skid Shoes	Side mounted with AR400 wear surfaces, adjustable & replaceable (32 lbs)	
Bolt-on Inner Skid Shoes	In-board mounted on the rear with AR400 wear surfaces, adjustable & replaceable. (19 lbs)	
Deflector	Manual	Standard with manual locking bar (2 lbs)
	Hydraulic	Hydraulic cylinder (32 lbs)



35751