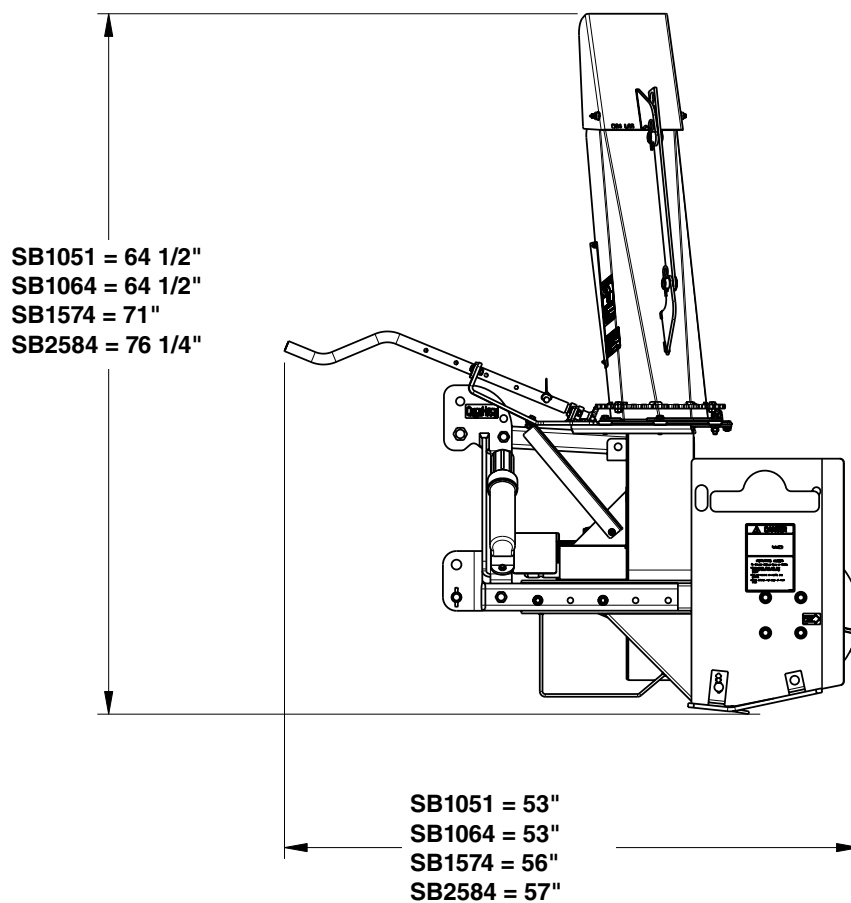
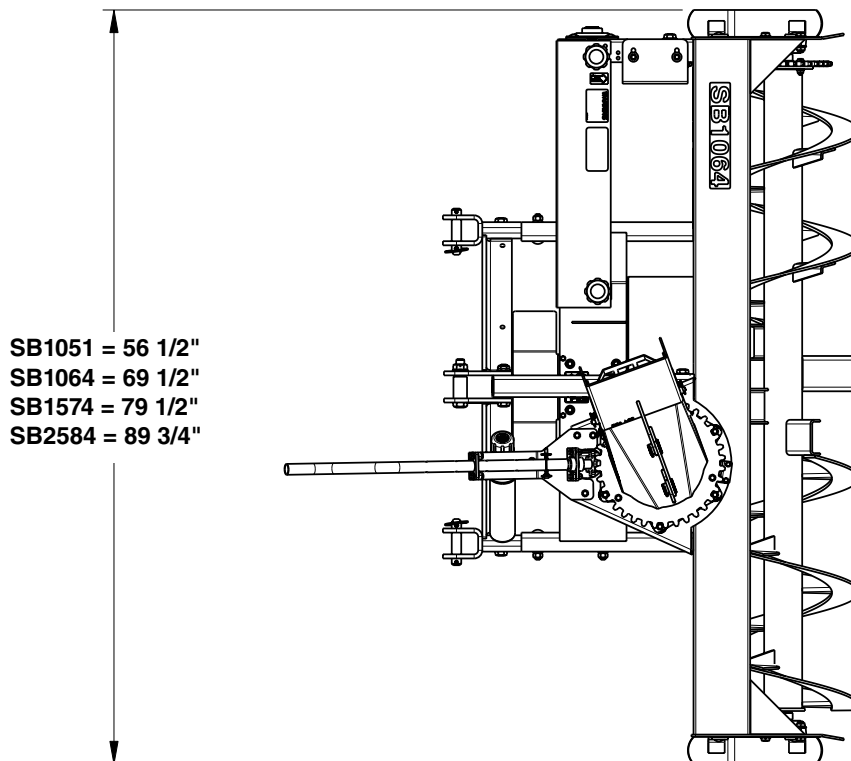


SB10, SB15, & SB25 Series

Specifications & Capacities				
Model No.	Model SB1051	Model SB1064	Model SB1574	Model SB2584
Working width	51"	64"	74"	84"
Overall width with inner skid shoes	52 3/4"	65 3/4"	75 3/4"	85 3/4"
Weight without options	400 lbs.	494 lbs.	640 lbs.	762 lbs.
Tractor horsepower	18-32 hp	18-59 hp	30-59 hp	43-105 hp
3-Point hitch	Adjustable Cat. I		Adjustable Cat. I	Adjustable Cat. I & II
Quick hitch compatible	yes		yes	
Main housing material	12 Gauge		12 Gauge	
Side plate material	3/16"		3/16"	
Chute opening at the base	8"		10"	12"
Impeller diameter	20"		24"	
Impeller housing depth	6"		8"	10"
Number of impeller blades	4		4	
Auger diameter	14"		16"	
Number of auger paddles	2	4	4	
Gearbox oil capacity & type	1.06 Pints of SAE90W Gearlube		2.54 Pints of SAE 90W Gearlube	
Drive chain	#60 RC		#60 RC	
Driveline category	Cat. II, Shearbolt protected		Cat. III, Shearbolt protected	
Driveline shearbolt	M8 x 50 C1.6.6		M8 x 50 C1.6.6	M10 x 60 C1.6.6
Drive shaft shearbolt	1/4" -20 Grade 5 bolt		1/4" -20 Grade 5 bolt	
Optional Equipment				
Lower wear bar	Construction	Bolt-on, reversible, and replaceable full length lower wear bar Two options available: Hardened steel wear bar option or steel wear bar option		
	Weight	11 lbs.	14 lbs.	16 lbs. 18 lbs.
Outer skid shoe & weight		Bolt-on, adjustable & replaceable (8 lbs)		
Outer wear bar & weight		Bolt-on, adjustable & replaceable (14 lbs)		
Inner skid shoe & weight		In-board mounted on the rear, adjustable and replaceable (19 lbs)		
Chute rotation & weight	Manual	Gear & worm drive (10 lbs.)		
	Electric	Gear drive (20 lbs.)		
	Hydraulic	Gear drive (12 lbs)		
Deflector type & weight	Manual	Lock bar (2 lbs.)		
	Electric	Electric actuator (25 lbs.)		
	Hydraulic	Hydraulic cylinder (32 lbs.)		



37107