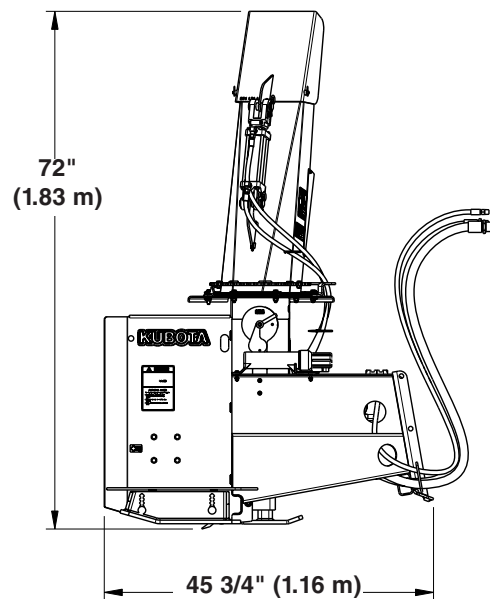
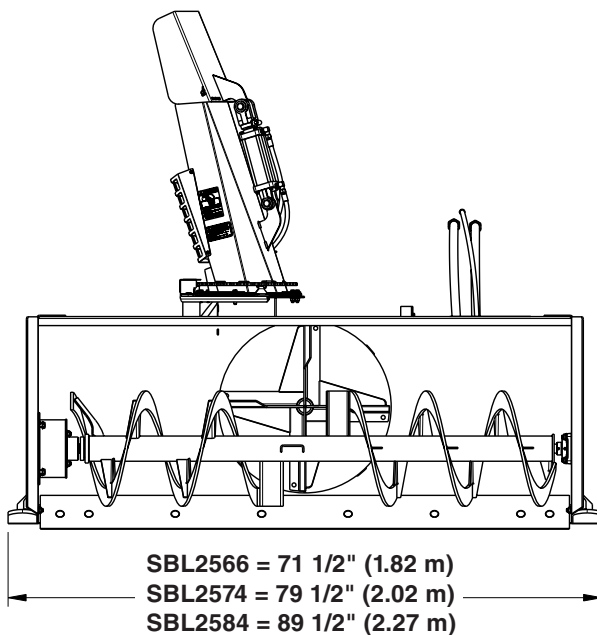


**SBL25 Series Snow Blowers**

Specifications & Capacities				
		SBL2566	SBL2574	SBL2584
Working Width	in (m)	66 (1.68)	74 (1.88)	84 (2.13)
Overall Width	in (m)	71 1/2 (1.82)	79 1/2 (2.02)	89 1/2 (2.27)
Weight with outside skid shoes, case drain line, couplings, & hydraulic motor	lbs (kg)	816 (370)	938 (426)	988 (448)
Drive and Control System		Hydraulic motors with electric over hydraulic		
Hydraulic Requirements: Low Volume Motor Option Medium Volume Motor Option High Volume Motor Option	gpm (Lpm)	12-19 (45.4-71.9) 20-26 (75.7-98.4) 27-33 (102.2-124.9)		
Hydraulic Pressure Rating	psi (mPA)	2500-3500 (17.2-24.1)		
Hitch		Skid steer/loader mounting plate		
Main Housing Material	ga (mm)	10 (3.4)		
Side Plate Material	in (mm)	3/16 (5)		
Chute Opening at the Base	in (cm)	10 (25.4)		12 (30.5)
Impeller Housing Depth	in (cm)	8 (20.3)		10 (25.4)
Impeller Diameter	in (cm)	24 (61)		
Number of Impeller Blades		4		
Auger Diameter	in (cm)	16 (40.6)		
Number of Auger Paddles		4		
Cutting edge		Bolt-on, reversible, and replaceable full-length cutting edge		
Skid Shoes		Bolt-on, adjustable & replaceable		
Chute Rotation		220 Degrees (Hydraulically driven sprocket)		
Spout Deflector		Hydraulic operation		
Spout Deflector Cylinder	in (cm)	Double acting 2 x 4 x 1 1/2 (5.1 x 10.2 x 3.8) rod		



37880