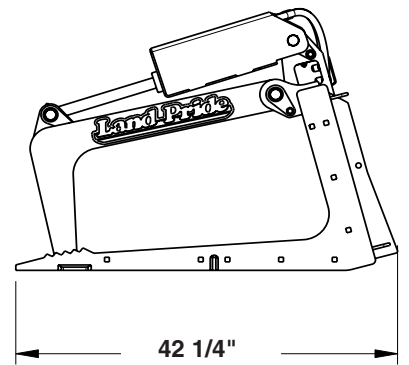
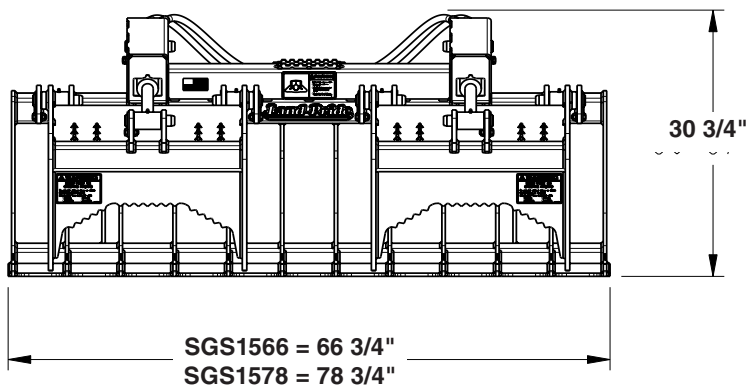


SGS15 Series

Specifications & Capacities		
Model Numbers	SGS1566	SGS1578
Weight	680 lbs.	732 lbs.
Width	66 3/4"	78 3/4"
Closed Height	30 3/4"	30 3/4"
Number of Teeth	12	14
Teeth Spacing	5"	5 1/2"
Tooth Thickness	3/8"	3/8"
Working Length of Teeth	34 3/4"	34 3/4"
Hydraulic Cylinder	2" x 8" x 1 1/4" Rod	2" x 8" x 1 1/4" Rod
Maximum Pressure Rating	3500 psi	



35172