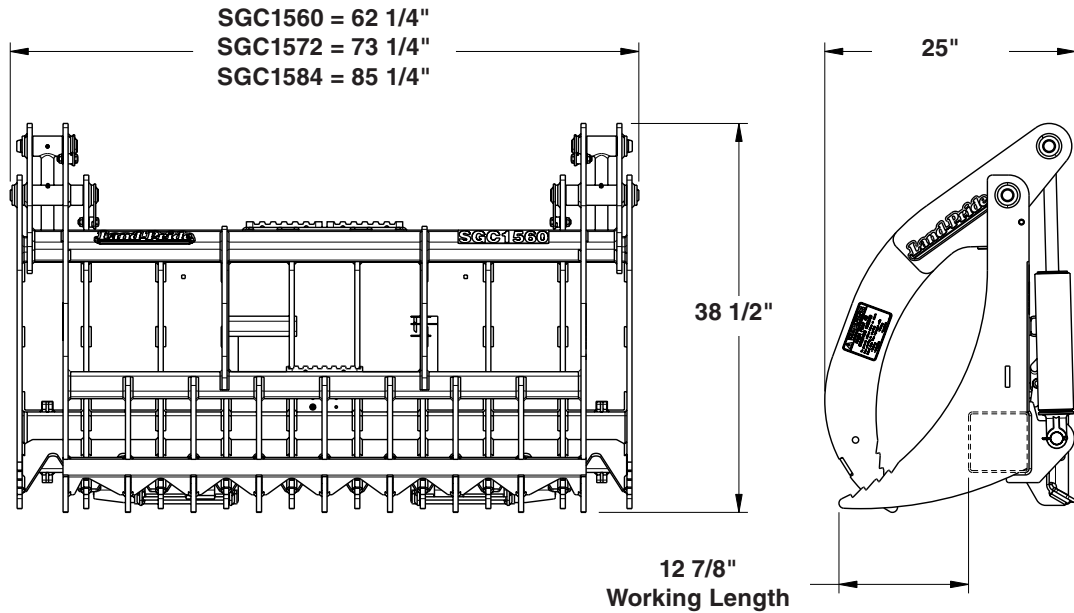


SGC15 Series

Specifications & Capacities			
Model Numbers	SGC1560	SGC1572	SGC1584
Weight	820 lbs.	922 lbs.	1030 lbs.
Width	63 1/2"	74 1/2"	86 1/2"
Closed Height	38 15/16"	38 15/16"	38 15/16"
Number of Teeth	10 Bottom & 9 Top	12 Bottom & 11 Top	14 Bottom & 13 Top
Teeth Spacing	6"	6"	6"
Tooth Thickness	1/2"	1/2"	1/2"
Working Length of Teeth	12 7/8"	12 7/8"	12 7/8"
Hydraulic Cylinder	3" x 10" x 1 1/4" Rod	3" x 10" x 1 1/4" Rod	3" x 10" x 1 1/4" Rod
Maximum Pressure Rating	3500 psi		



35439